

Item	Part	Rev	Description	Config	Status	Qty	Notes
2	12884U	00	Hydration Can W/ 20L (20L) 15° Roller & Collar (Stn)	52884U-001-125	Prototype	1	
3	00022B	C	Roller for Can	Default	Production	1	
4	000221	C	Air Inlet Gd Off	Default	Production	1	
17	004611	A	Top 1/2 BSP Female (Stn)	Default	Production	1	
22	004602	00	NO Tap G4 Assy (Front)	Default	Design	1	
23	001900	B	Assy - Plastic-A/Floor with 42.5 Hole	07722	Production	1	

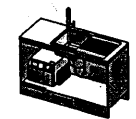
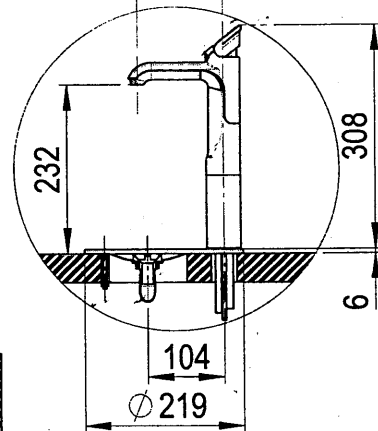
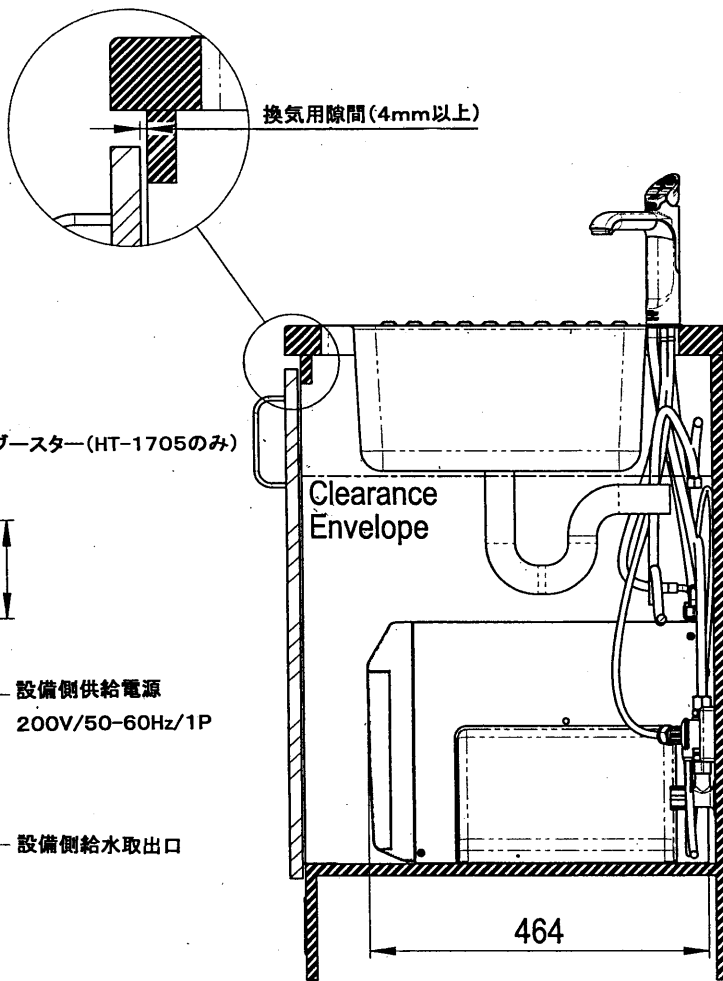
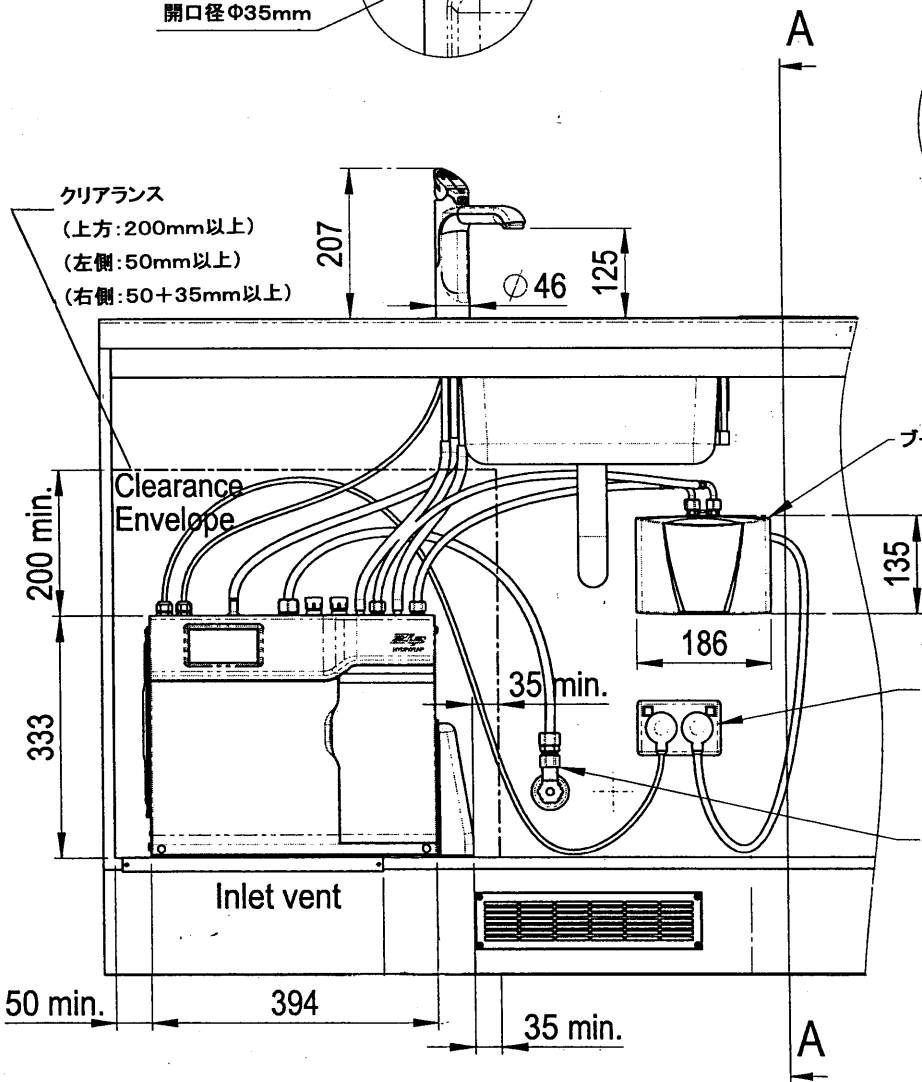
カップ、またはティーポットに湯を注ぐ場合を考慮し、シンクの縁から十分なクリアランスを確保し、確実にシンク内に落下する位置に設置して下さい。

ハイドロタップ  
 開口径Φ35mm

換気用隙間(4mm以上)

クリアランス  
 (上方: 200mm以上)  
 (左側: 50mm以上)  
 (右側: 50+35mm以上)

116 CL reach



Configuration: Default

SECTION A-A  
 SCALE 1:5

<p>This drawing is CONFIDENTIAL and is supplied on the express condition that it shall not be LOANED, COPIED or REPRODUCED to any other third party or used for any purpose without the written consent of 550 Industries Pty Ltd. If this document is printed for any purpose, it is for INFORMATION ONLY and therefore not subject to copyright protection. All dimensions are in mm unless otherwise stated. © copyright 550 Industries Pty Ltd, 1988/2011</p>		<p>Approved by: Unapproved on 18/02/11                  Created by: Unchecked on 18/02/11                  Updated by: wjmg on 27/02/14 16:12:28 AM</p>		<p>Description:  <b>G4-BC-160/175</b></p>	
<p>Manufacturer: 550 Industries Pty Ltd                  Manufacturing Process: Manufacturing Process                  Raw material: See Components                  Finishes: All sharp edges. This drawing ONLY details information which cannot be ascertained from the 3D geometry of the part(s) attached. Model dimensions are AT DTD, all finishing operations.                  Comments:</p>		<p>Material:                  See Components</p>		<p>Project: Hydration G4B                  Model: KLE02_528L8A242YIC                  Drawing: <b>HT-1704-1705</b>                  Volume num: 0211.3                  Part num: 004602.1                  Date: 10/2/2011                  Scale: 1:3                  Sheet: 1 of 1</p>	
<p>Part No: 104224.7                  Responsible: NO                  Handed: NO</p>		<p>Created by: Edgao on 4/05/2011                  Created by &amp; on: Edgao on 4/05/2011                  Status: Production                  Drawing Property: Customer Property</p>		<p>Rev: 00                  Rev: A2</p>	