

Sheet (Default)

Item	Part	Rev	Description	Config	Status	Qty	Notes
1	128BAU	00	Hydrex HT-1705/HT-1705* (Hydro & Control Unit)	S28BAU/CH108_128	Prototype	1	
2	188220	C	Hydrex Fan G46	Default	Production	1	
4	188221	C	Air Inlet G46 C/P	Default	Production	1	
17	18441	A	The 1/2" BSP Female Brass	Default	Production	1	
22	18442	B	HT Top G46 Assy (Metal)	Default	Production	1	
23	18198	B	Assy - Plastic-A-Flow with 4.5 Hole	HT22	Production	1	

THIRD ANGLE PROJECTION

Zip Industries Pty Ltd
 47 Alborough Street
 Concord Park
 Sydney NSW 2208
 Australia
 Fax: +61 2 9555 2211
 Email: sales@zipindustries.com.au

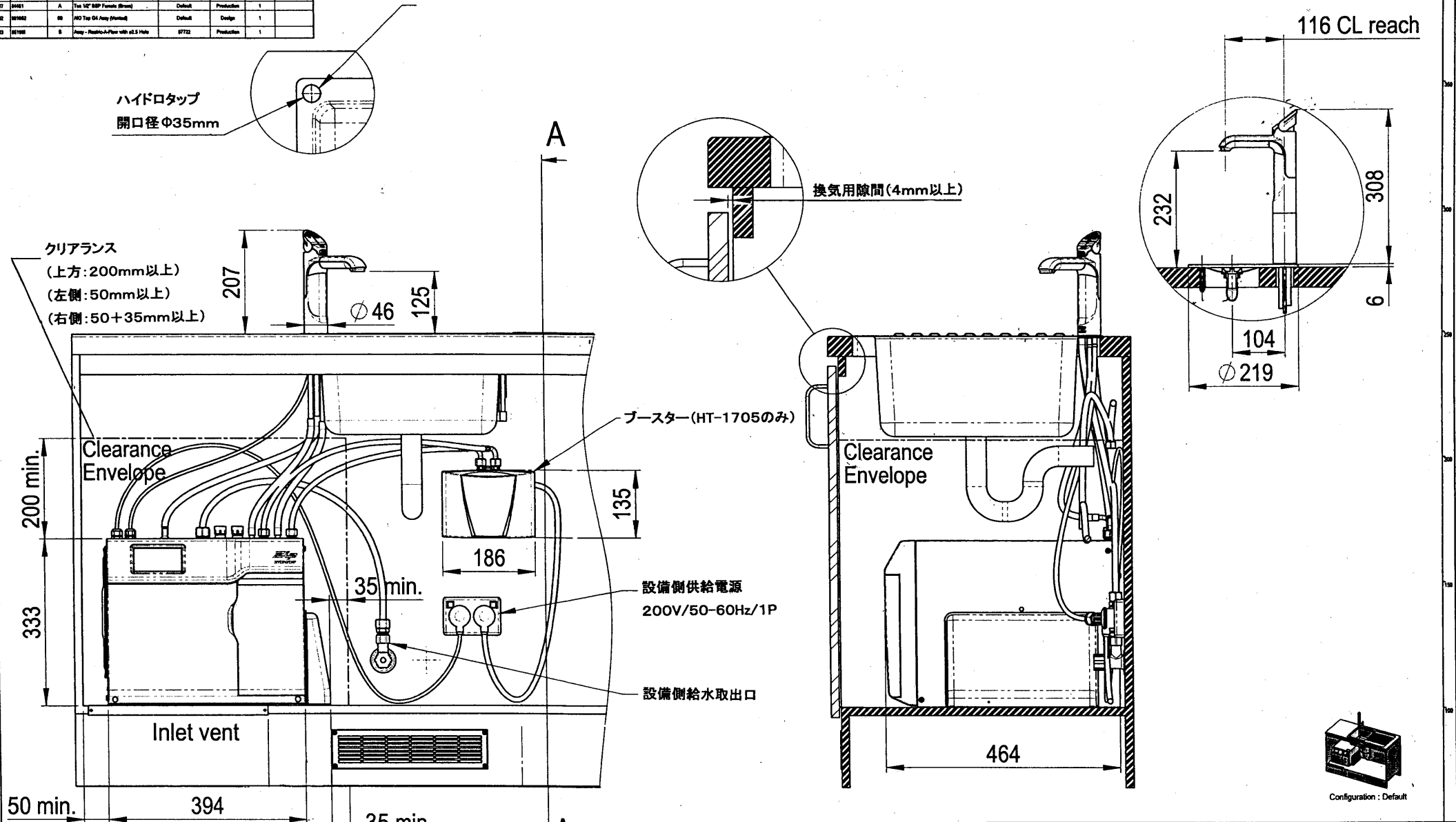
カップ、またはティーポットに湯を注ぐ場合を考慮し、シンクの縁から十分なクリアランスを確保し、確実にシンク内に落下する位置に設置して下さい。

ハイドロトップ
開口径 Φ35mm

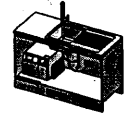
換気用隙間(4mm以上)

116 CL reach

クリアランス
(上方:200mm以上)
(左側:50mm以上)
(右側:50+35mm以上)



SECTION A-A
SCALE 1:5



Configuration : Default

The drawing is CONFIDENTIAL and is supplied on the express condition that it shall not be LOANED, COPIED or DISCLOSED to any other third party or used for any purpose without the written consent of Zip Industries Pty Ltd. If this document is printed in hardcopy form, it is for INFORMATION ONLY and does not constitute an offer of any product.

For the correct location ALWAYS refer to the NATIVE electronic form as stated in the top left-hand corner of this sheet.

© copyright Zip Industries Pty Ltd. 10/05/2011

Manufacturing Instructions		Approved by: Unapproved on 10/05/2011	Description:
Made at: Bay	Checked by: Unchecked on 10/05/2011	G4-BC-240/175	
Manufacturing Process: Manufacturing Process	Updated by: unapproved on 10/05/2011 10:12:00 AM	Material:	Project: Hydrex G46
Part material: See Components		Color Components:	Model: RL802_SAM1A0AZ2HC
Remove all sharp edges. This drawing ONLY shows information which cannot be ascertained from the 2D geometry of the parts attached. Model it dimensioned only AFTER all finishing operations.		Finish:	Created by & on: Engineer on 10/05/2011
Comments:		Drawn:	HT-1705
Volume no.: 8211.2	Area no.: 14302.1	Derived from: None	Color: Colourless
Part No: 104294.7	Density no.: 1.1	Scale: 1:1	Status: Production
Printable: NO	Recyclable: NO	Hardcopy: NO	Sheet: 1 of 1

Zip Industries Pty Ltd
 47 Alborough Street
 Concord Park
 Sydney NSW 2208
 Australia
 Fax: +61 2 9555 2211
 Email: sales@zipindustries.com.au