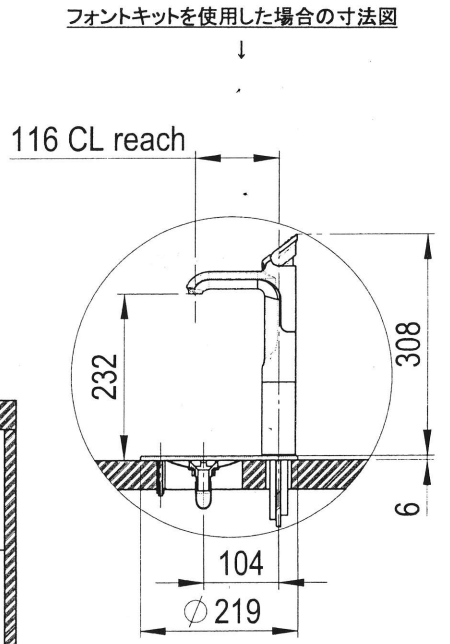
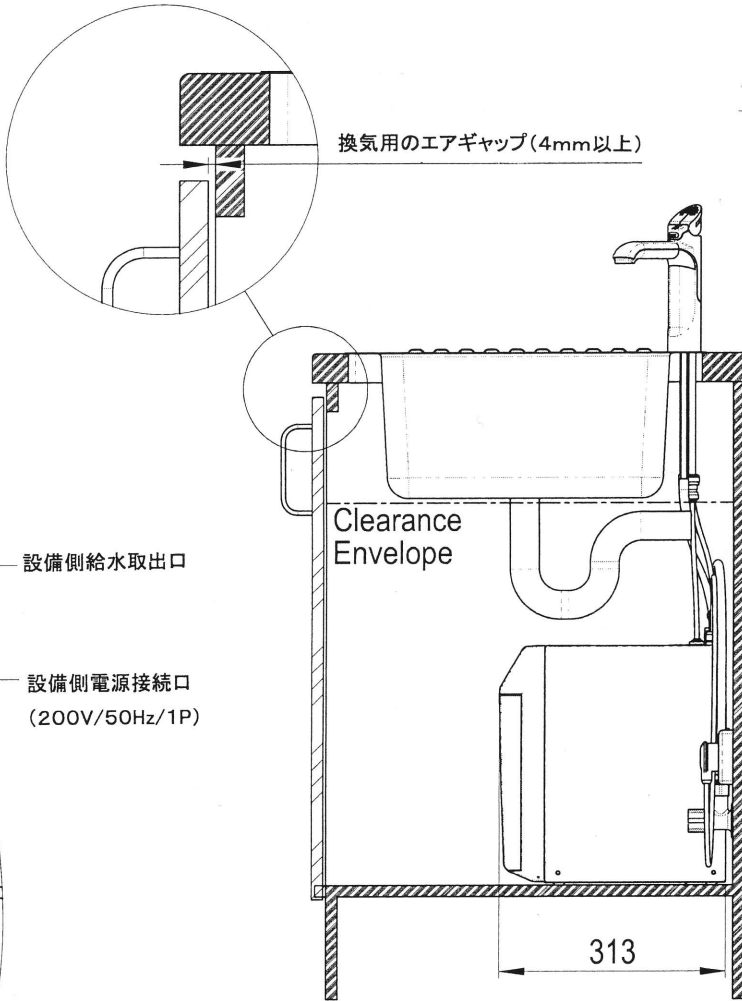
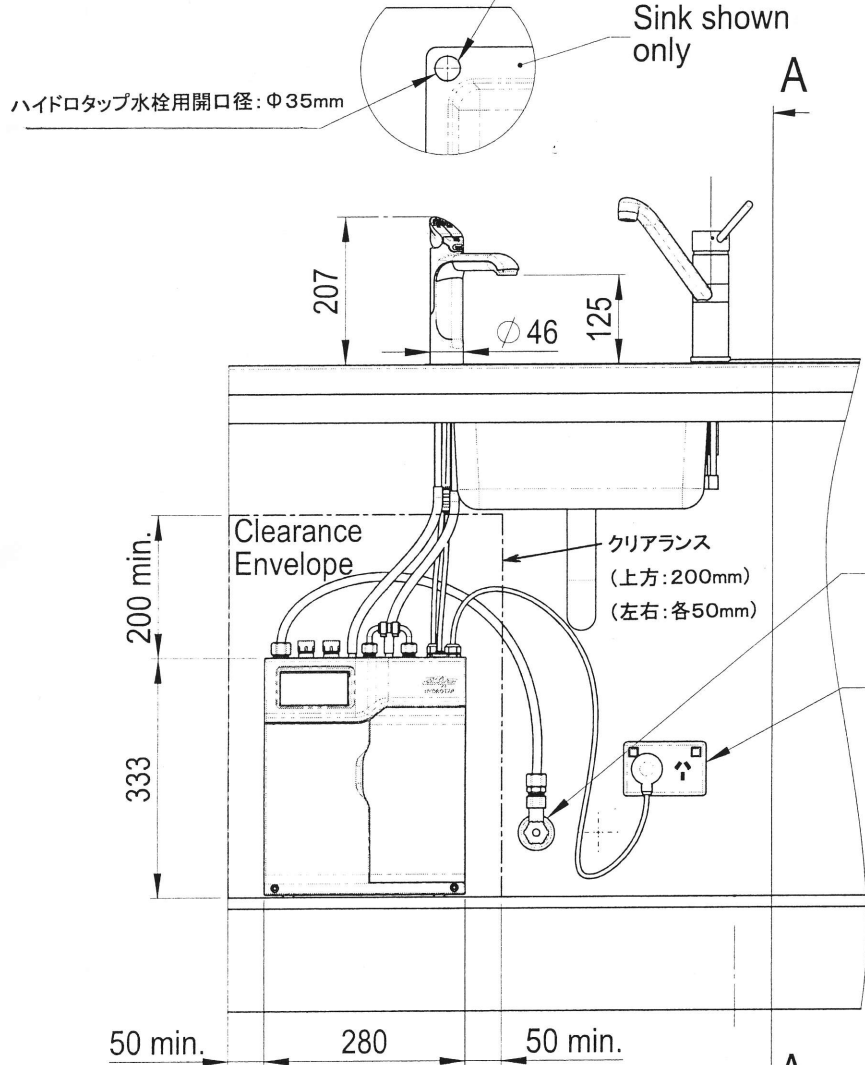


Item	Part	Rev	Description	Config	Status	Qty	Notes
1	S001A01	01	Hydraulic Gen IV BF160 Boiling Antburn	Default	Prototype	1	
2	R0044-BA	A	Asy - Tap (Gen IV) Boiling Antburn	00544-BA	Prototype	1	
3	R7570	A	Asy - Tap (4 in 1)	None	Production	1	
4	R6451	A	Nipple Tapered 1/2" (No 2)	Default	Production	1	
5	R1993	ACD	Reducer JG 3.5" x 4"	Default	Design	1	
10	R0230-PRO-002-NC R1A029420-1C	00	Tube LLDPE Blue 6.35 OD	Default	Design	1	

カップ、またはティーポットに湯を注ぐ場合を考慮し、シンクの縁から十分なクリアランスを確保し、確実にシンク内に落下する位置に設置して下さい。(水栓ベース中心～泡沫中心: 116mm) シンクのない箇所に設置する場合は、オプションのフロントキットを利用して下さい。



本体装置寸法 : W280 x D313 x H333
 消費電力 : 1.9KW/200V
 吐出能力 : 160杯/時 (160cc/杯)
 温度調節 : 68°C ~ 99°C
 本体作動水圧 : 172kPa ~ 500kPa

SECTION A-A
 SCALE 1:5

<p>The drawing is CONFIDENTIAL and is subject to the express condition that it shall not be LOANED, COPIED or DISCLOSED to any other third party or used for any purpose without the written consent of Zip Industries Pty Ltd. If the document is printed in hardcopy form it is for INFORMATION ONLY and therefore not subject to copyright control. For the correct version ALWAYS refer to the MASTER electronic form as stated in the top left hand corner of this sheet. © copyright Zip Industries Pty Ltd. 19/05/2011</p>		<p>Approved by: on 18/11/2014 Checked by: on 11/11/2014 Updated by: on 23/04/2015 2:42:11 PM</p>		<p>Disruption: G4-BA-160</p>	
<p>Manufacturing Instructions</p>		<p>Project: Hydraulic Gen IV B</p>		<p>Configuration: Default</p>	
<p>Made in Italy Manufacturing Process</p>		<p>Material: See Components</p>		<p>Model: R002_001A01H21C</p>	
<p>Remove all sharp edges. This drawing ONLY details information which cannot be ascertained from the 3D geometry of the part(s) indicated. Model & dimensions are AFTER all finishing operations.</p>		<p>Finish: Finish</p>		<p>Drawing: HT-1708</p>	
<p>Volume: 18041.3 Area: 119445.1 Mass: 84457.1 Density: 4.5</p>		<p>Derived from: NEW</p>		<p>Colour: Colourless</p>	
<p>Probable? No Recyclable? No Handed? No</p>		<p>Scale: 1:3</p>		<p>Status: Prototype</p>	
				<p>Sheet: 1 of 3</p>	
				<p>Size: A2</p>	
				<p>Part Property</p>	