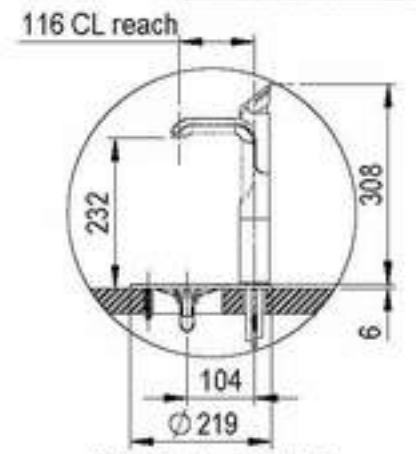
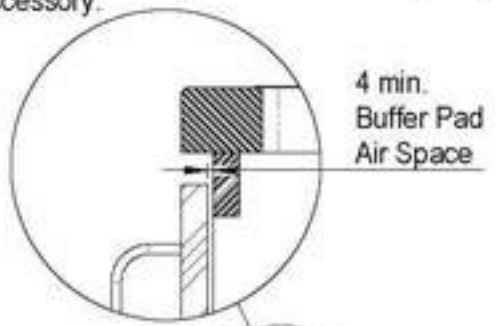
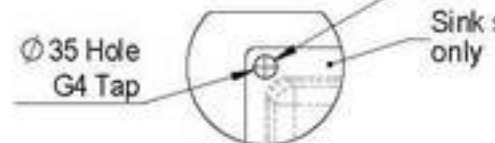
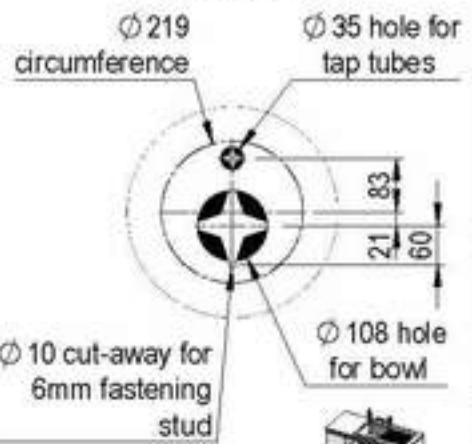
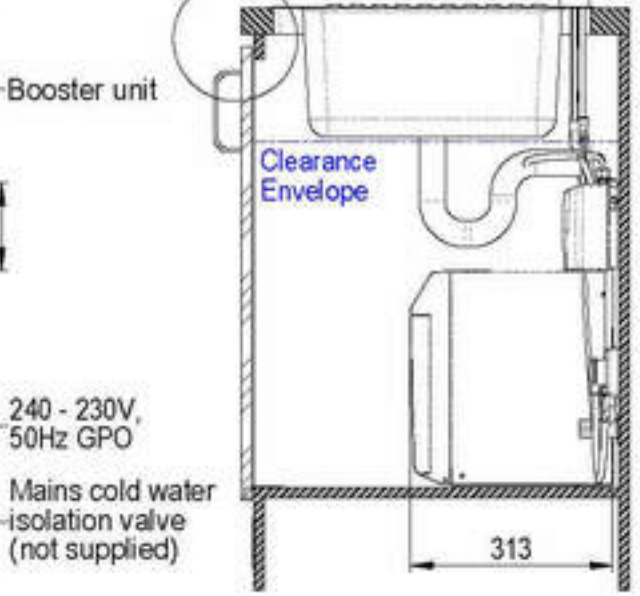
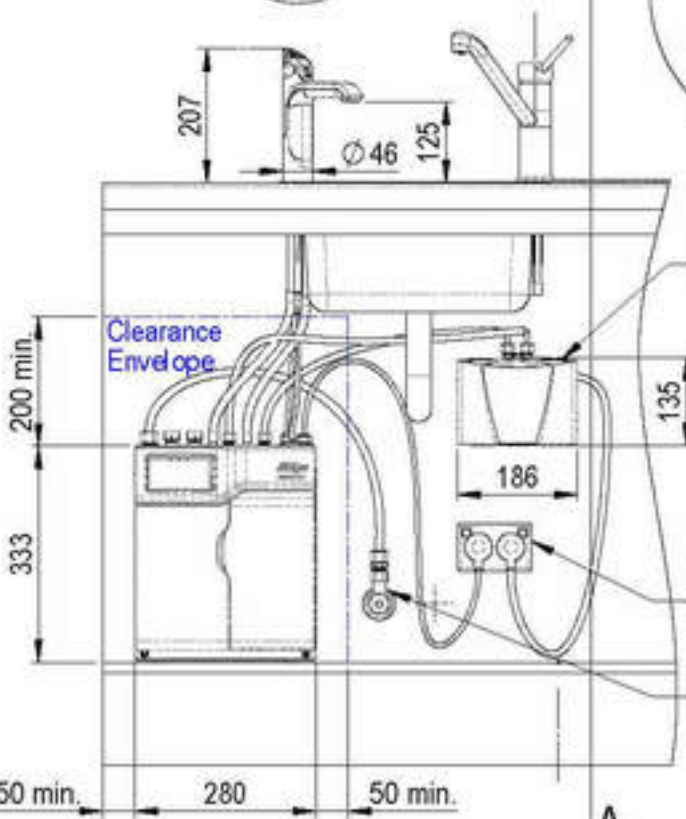


Part No.	Part Name	Description	Qty	Status	Rev	Notes
1	Zip	HydroTap G4 BA200	1	Released	1	
2	Zip	Booster unit	1	Released	1	
3	Zip	240 - 230V, 50Hz GPO	1	Released	1	
4	Zip	Mains cold water isolation valve (not supplied)	1	Released	1	
5	Zip	4 min. Buffer Pad Air Space	1	Released	1	
6	Zip	Sink shown only	1	Released	1	
7	Zip	116 CL reach	1	Released	1	
8	Zip	DETAIL FONT SCALE 1:5	1	Released	1	
9	Zip	Ø 10 cut-away for 6mm fastening stud	1	Released	1	
10	Zip	Ø 108 hole for bowl	1	Released	1	
11	Zip	Ø 219 circumference	1	Released	1	
12	Zip	Ø 35 hole for tap tubes	1	Released	1	
13	Zip	207	1	Released	1	
14	Zip	125	1	Released	1	
15	Zip	Ø 46	1	Released	1	
16	Zip	240	1	Released	1	
17	Zip	135	1	Released	1	
18	Zip	186	1	Released	1	
19	Zip	333	1	Released	1	
20	Zip	50 min.	1	Released	1	
21	Zip	280	1	Released	1	
22	Zip	50 min.	1	Released	1	
23	Zip	313	1	Released	1	

Position the Tap such that it dispenses into the sink bowl with ample clearance for a cup or a tea pot. Alternatively, the Tap could be mounted away from the sink using a Zip Font available as an accessory.



DETAIL FONT
SCALE 1 : 5



SECTION A-A
SCALE 1 : 5

<p>Zip Industries</p> <p>HydroTap G4 BA200 Boiling Ambient with Booster</p>		
<p>Part No: K1002 5101AKKHZNIQ</p> <p>Rev: 1.0</p>	<p>Qty: 1</p> <p>Unit Price: \$150.00</p> <p>Total Price: \$150.00</p>	<p>01</p> <p>A2</p>