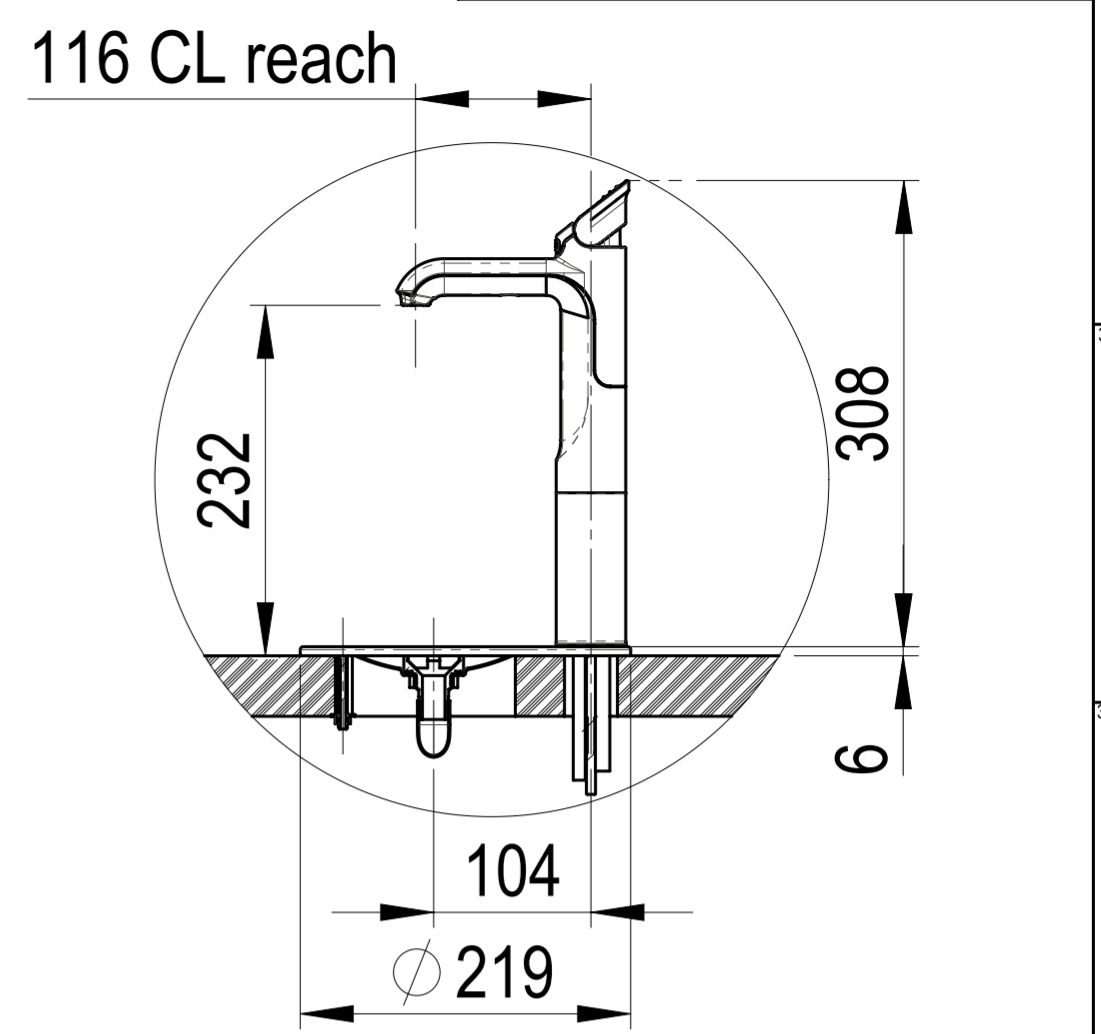
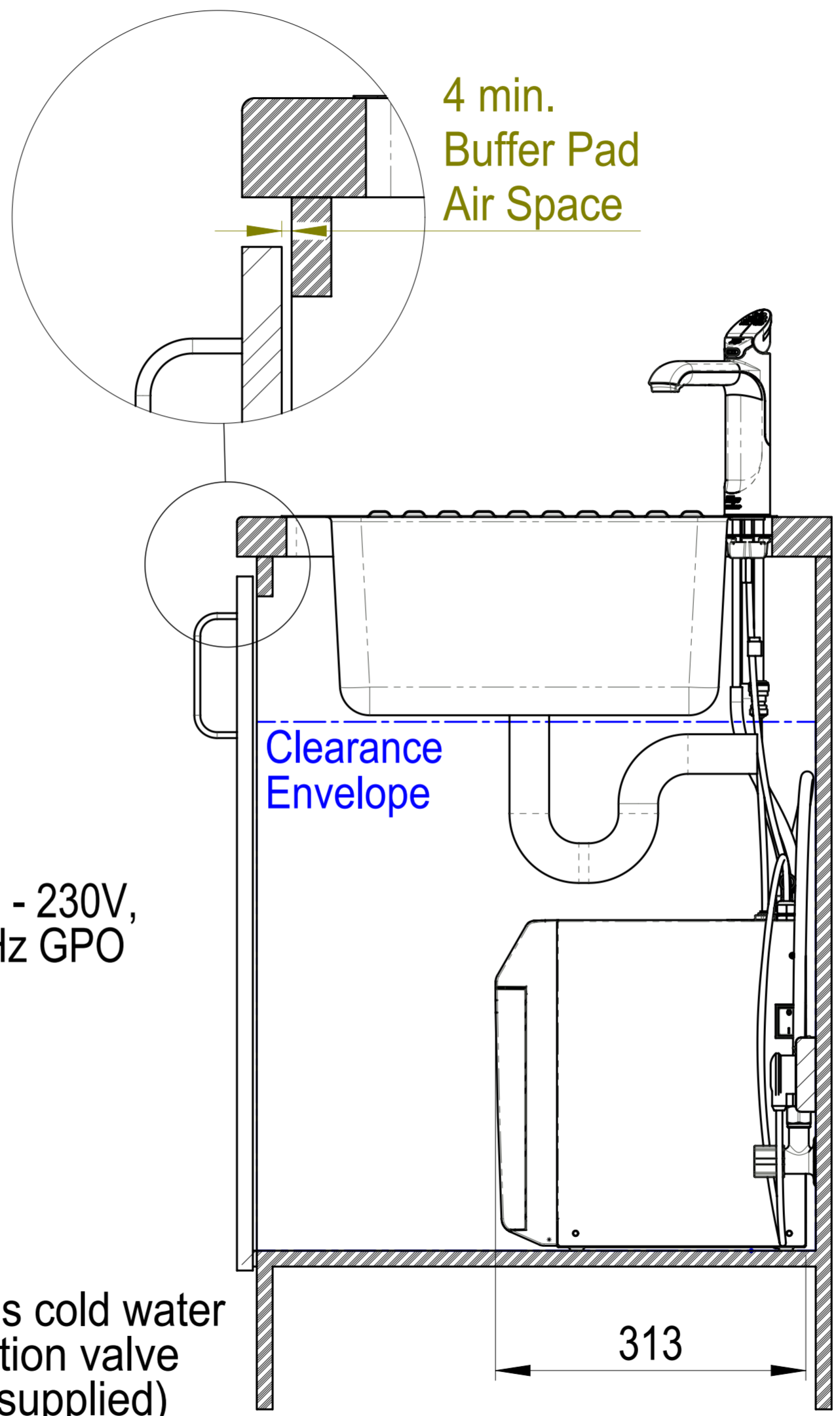
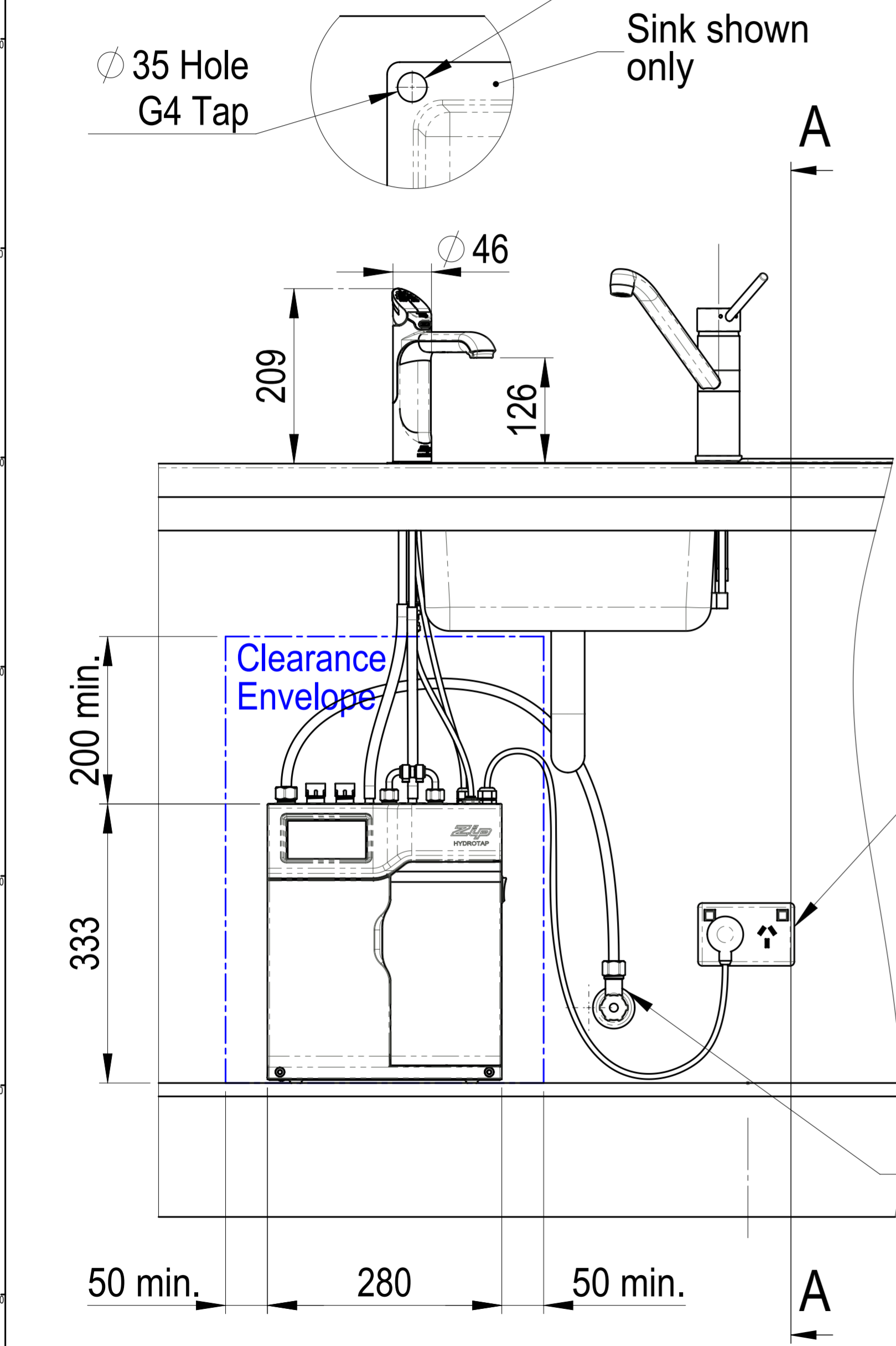


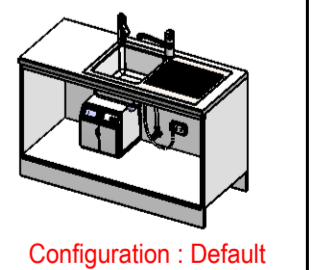
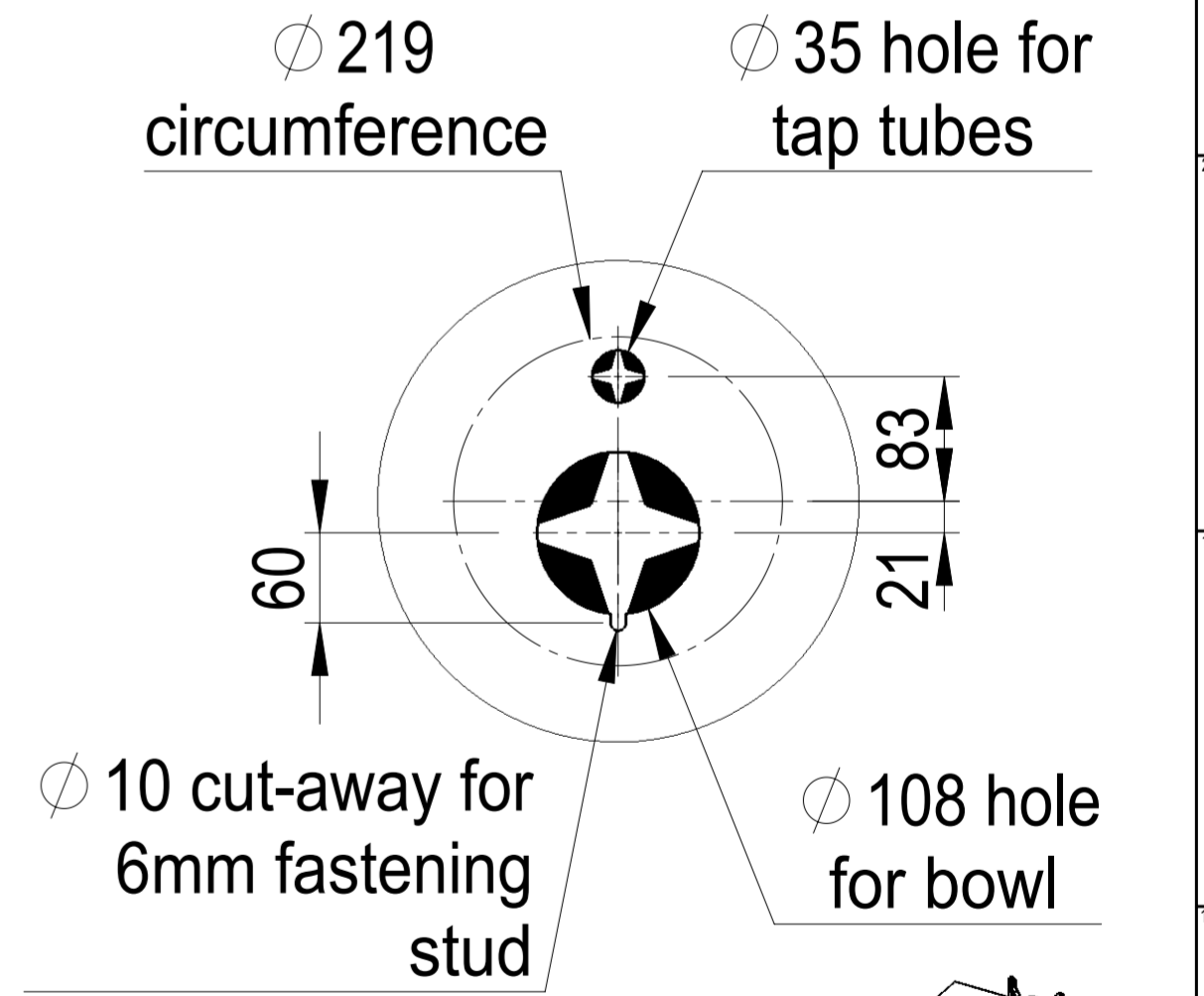
Sheet1 (Default)

Table - Zip BOM (Assembly)							
Item	Part	Rev	Description	Config	Status	Qty	Notes
1	800544-BA	00	Tap Assy Commercial - Boiling Ambient HydroTap G4	Default	Design	1	
2	87570!	A	Assy - Tap (4 in 1)	Hot Off	Production	1	
9	1301AU!	00	HydroTap G4 Residential BA Base Module Mains/UV	Default	Design	1	
10	801568	00	Bottom Collar-Mixed H2O Tube HydroTap G4 4in1 Mixer Tap	Default	Prototype	1	
11	85193!	B	Assy - Restrict-A-Flow with ø2.5 Hole	With One (1) Nut	Production	1	
12	87953	01	Reducer JG 3_8-1_4	Default	Production	1	

Position the Tap such that it dispenses into the sink bowl with ample clearance for a cup or a tea pot. Alternatively, the Tap could be mounted away from the sink using a Zip Font available as an accessory.



DETAIL FONT
SCALE 1 : 5



SECTION A-A
SCALE 1 : 5

WMKA 00099; CS8328
Watermark Exp: 26-10-2017; CS Exp: 18-8-2014

This drawing is CONFIDENTIAL and is supplied on the express condition that it shall not be LOANED, COPIED or DISCLOSED to any other third party or used for any purpose without the written consent of Zip Industries Pty Ltd. If this document is printed in hardcopy form, it is for INFORMATION ONLY and therefore not subject to updating controls. For the current revision ALWAYS refer to the NATIVE electronic form as stated in the top left-hand corner of this sheet. © copyright Zip Industries Pty Ltd, 16/05/2011

Manufacturing Instructions		Approved by: Unapproved on 1/03/2011	Description:
Make or Buy: Buy	Checked by: Unchecked on 1/01/2001	Updated by: edgar on 10/06/2014 11:27:34 AM	Asy - Kitchen Layout (HydroTap G4 Residential Boiling Ambient Unit & G4 Tap)
Raw material: See Components	Material: See Components	Project: HydroTap G4®	Configuration: Default
Remove all sharp edges. This drawing ONLY details information which cannot be ascertained from the 2D geometry of the part(s) attached. Model & dimensions are AFTER all finishing operations.	Finish: Finish	Model: KL002_1301AU0H4ZN1R	Created by & on: EdgarG on 4/05/2011
Comments:	Volume (mm ³): 76164.2	Area (mm ²): 119501.9	Derived from: New
Volume (mm ³): 76164.2	Area (mm ²): 119501.9	Derived from: New	Colour: Colourless
Mass (g): 85455.0	Density (g/mm ³): 1.1	Scale: 1:1	Status: Production
Potable? : No	Recyclable? : No	Handed? : No	Sheet: 1 of 1
Drawing Property		Part Property	