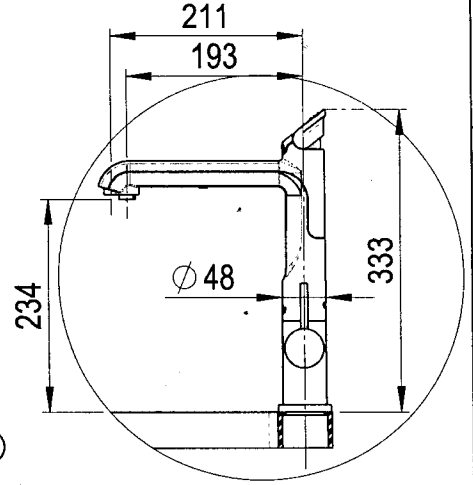
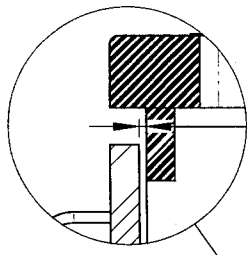
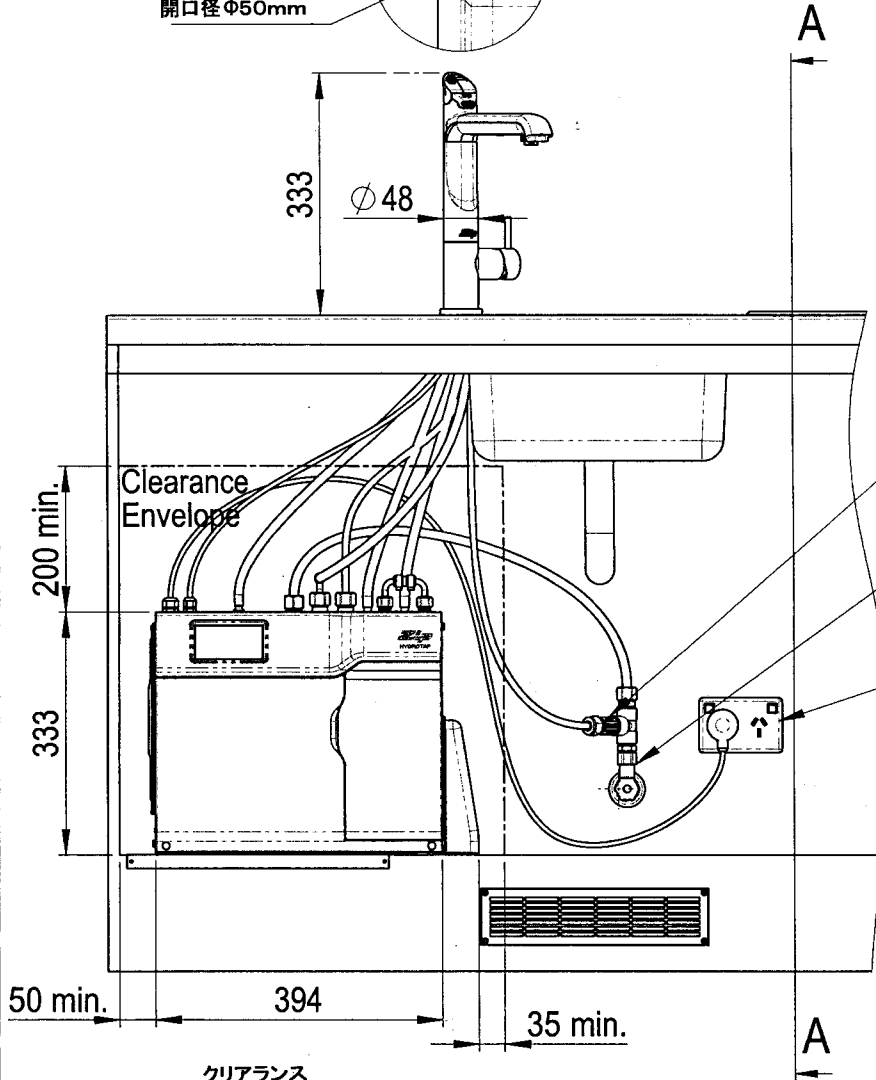


Table - Zip BOM (Assembly)							
Item	Part	Rev	Description	Config	Status	Qty	Notes
2	3202AU	00	HydroTap™ G4 BCHA160/175* Solving & Chilled Hot	3202AU/ACH160_125	Prototype	1	
3	80220	C	HydroTap™ Fan Coil	Default	Production	1	
4	80221	C	Air Inlet G4 GFC	Default	Production	1	
17	8441	A	Tap 1/2" BSP Female (Steel)	Default	Production	1	
22	80182	00	A/D Tap G4 Assy (Vertical)	Default	Design	1	
23	81181	B	Key - Plastic G4 Fan with 2.5 Hole	81172	Production	1	

カップ、またはティーポットに湯を注ぐ場合を考慮し、シンクの縁から十分なクリアランスを確保し、確実にシンク内に落下する位置に設置して下さい。

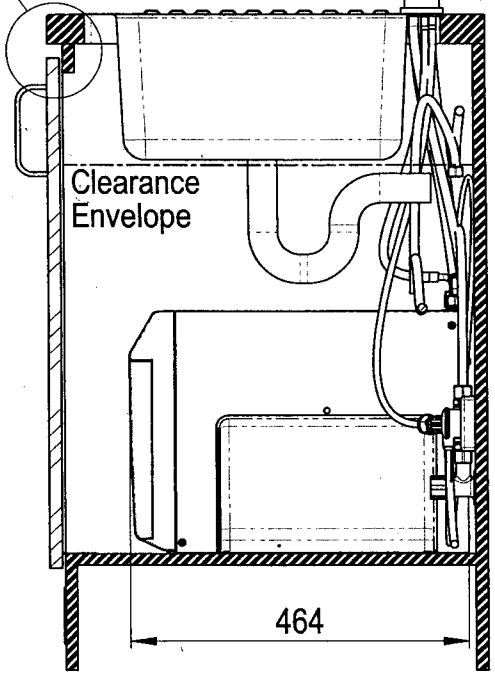
- \* 水栓穴中心～飲料用吐水口：193mm
- \* 水栓穴中心～洗浄用吐水口：211mm

オールインワン・ハイドロタップ  
 開口径 Φ50mm



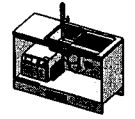
DETAIL FONT  
 SCALE 1 : 4

- チーズ配管
- 設備側給水取出口
- 設備側供給電源  
200V/50-60Hz/1P



SECTION A-A  
 SCALE 1 : 5

クリアランス  
 (上方: 200mm以上)  
 (左右: 各50mm以上)



Configuration : Default

<small>The drawing is CONFIDENTIAL and is supplied on the express condition that it shall not be LOANED, COPIED or REPRODUCED in any form without the prior written consent of Zip Industries Pty Ltd. If the document is printed in electronic form, it is for OFF-CAMERA USE ONLY and remains not subject to copyright protection. For the correct operation of the device, please refer to the user manual. © copyright Zip Industries Pty Ltd. 18/05/2011</small>		<b>Zip</b>	
<b>Manufacturing Instructions</b> Make or Buy: Buy Manufacturing Plants: Manufacturing Process Raw material: See Components Finishes: All sharp edges. This drawing ONLY details information which cannot be ascertained from the 2D geometry of the part(s) attached. Model & dimensions are AP-TEX (all finishing operations)		Approved by: Unapproved on 16/03/11 Checked by: Unchecked on 10/02/01 Updated by: edging on 21/02/14 10:12:00 AM See Components Volume: 82113 Area: 182091 Weight: 104234.7 Density: 1.1	
Project: HydroTap G48 Model: XLSR_S2416R24ZHC Drawing:		Configuration: Default Created by: S.m Engineer on 18/05/2011	
Part No: HT-1716 Recycleable? NO Hazardous? NO		<b>HT-1716</b> Status: Production Date: 18/05/2011 Sheet: 1 of 1 Drawing Property:	