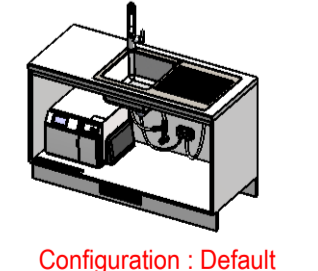
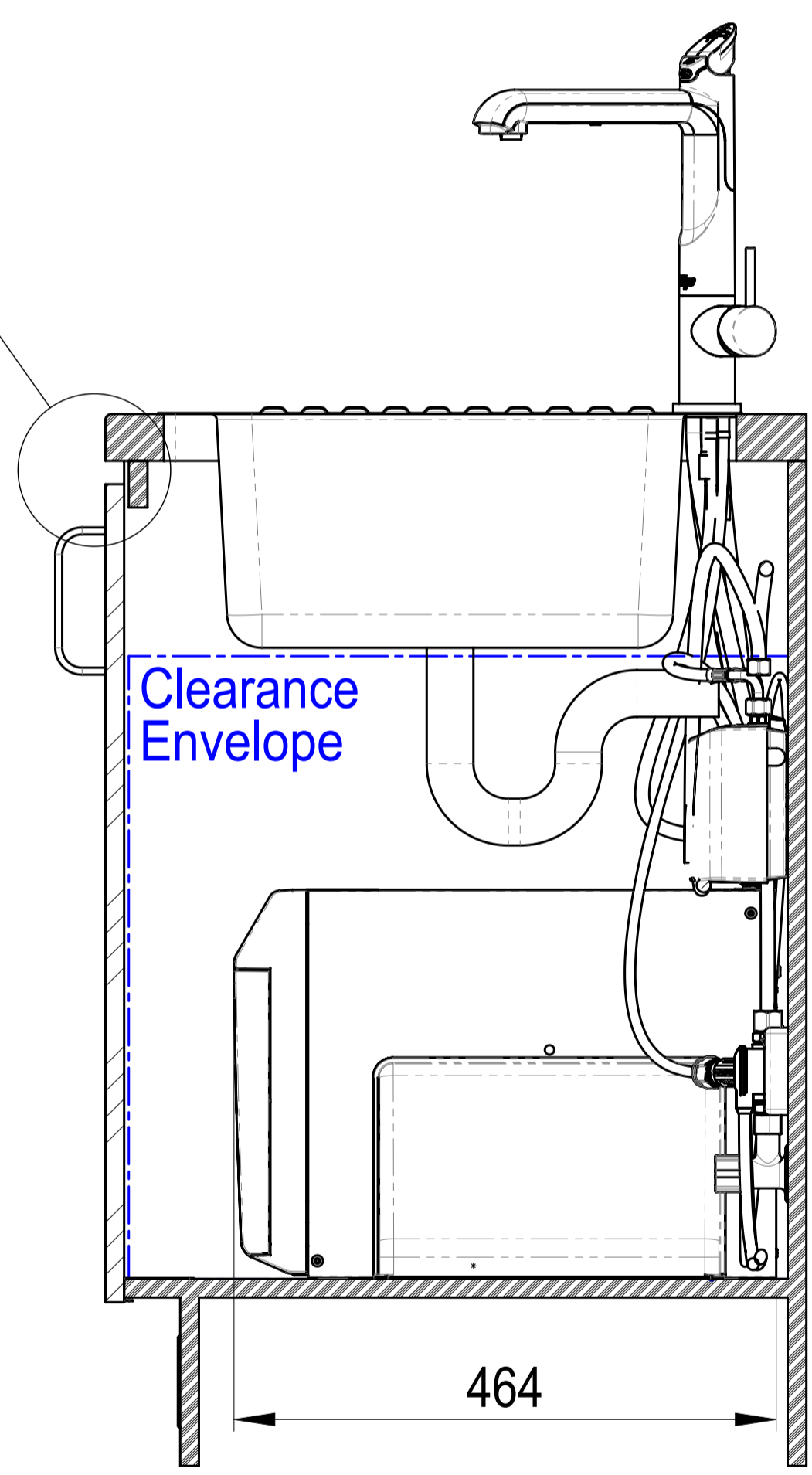
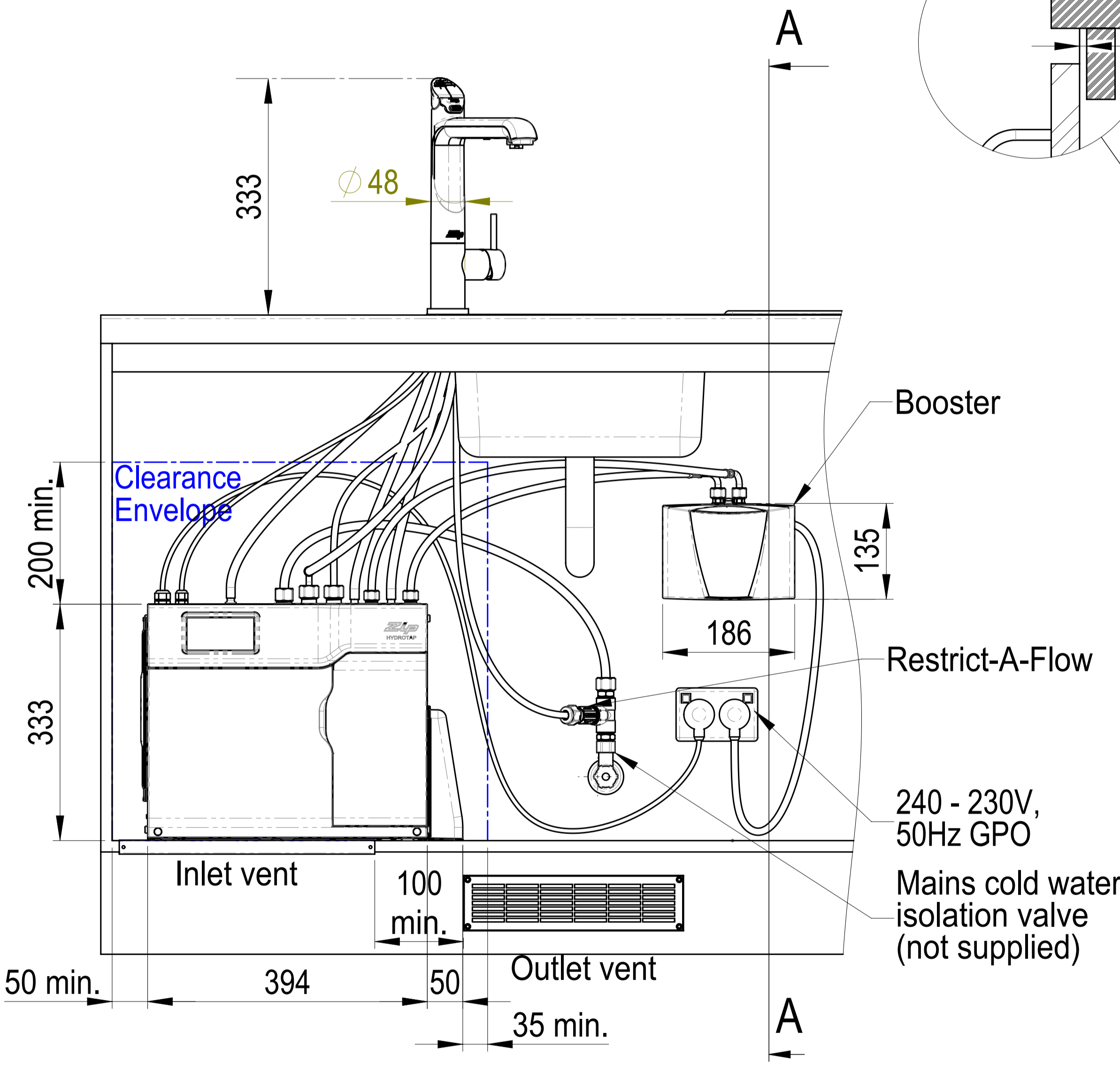
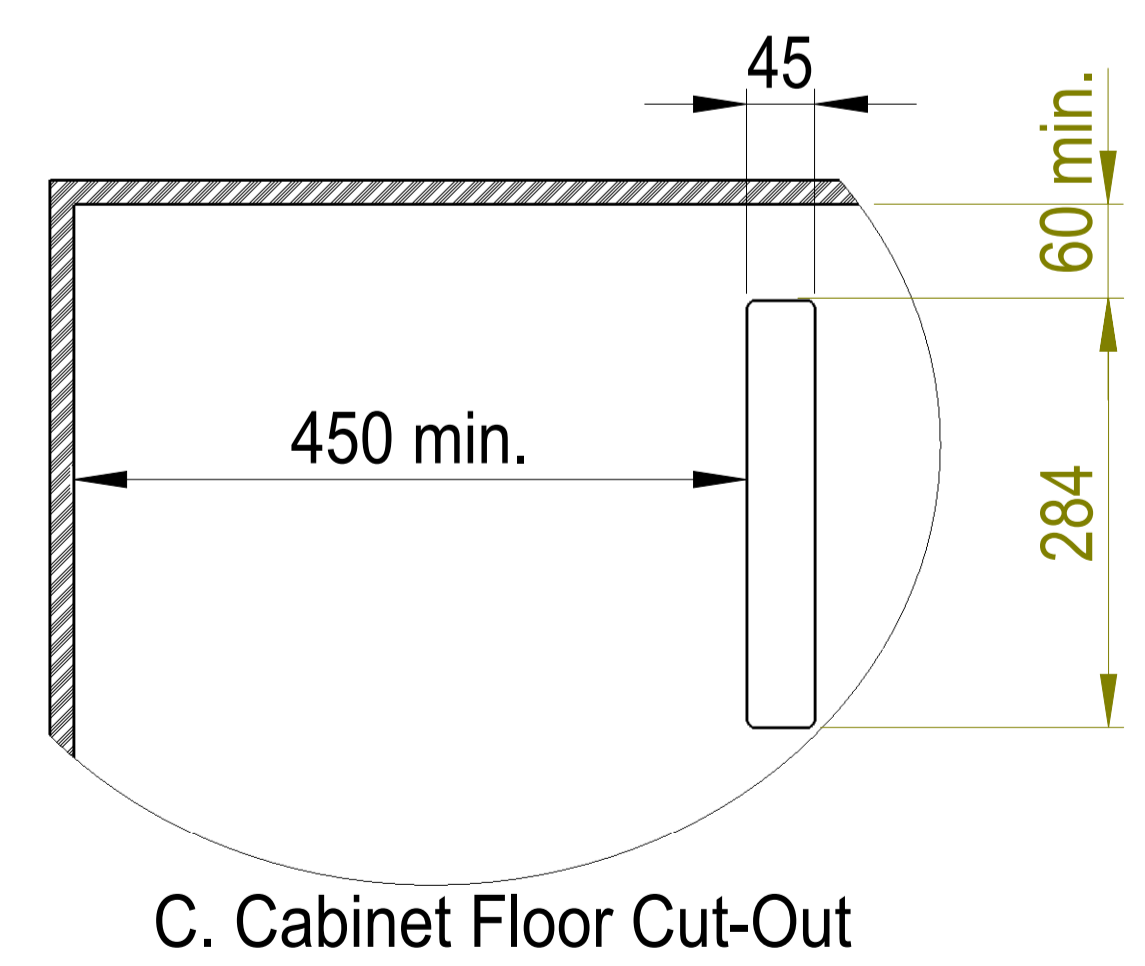
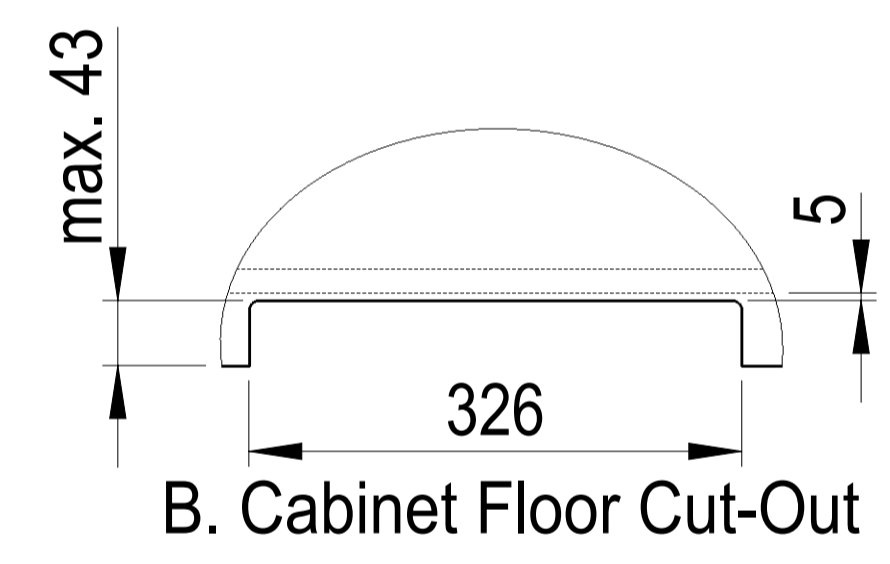
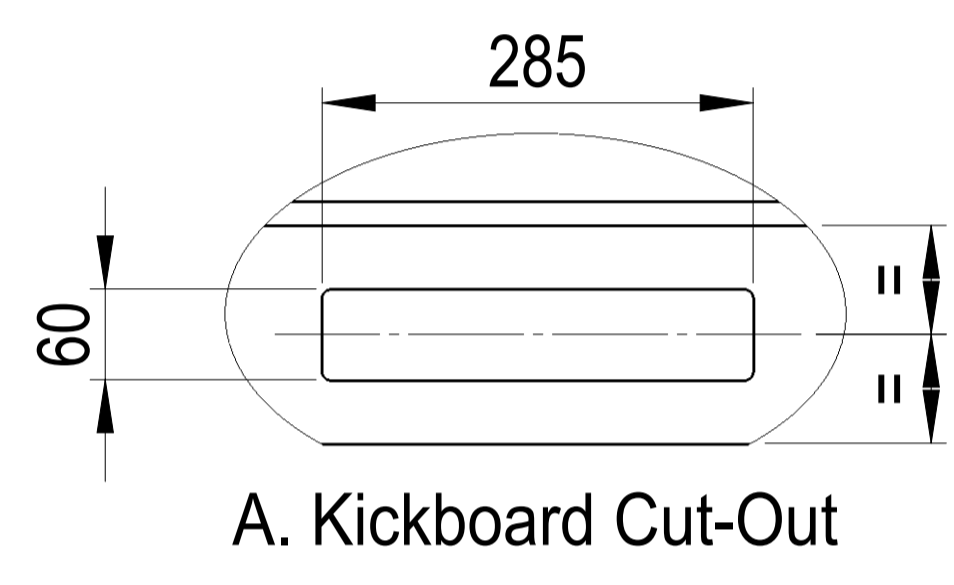
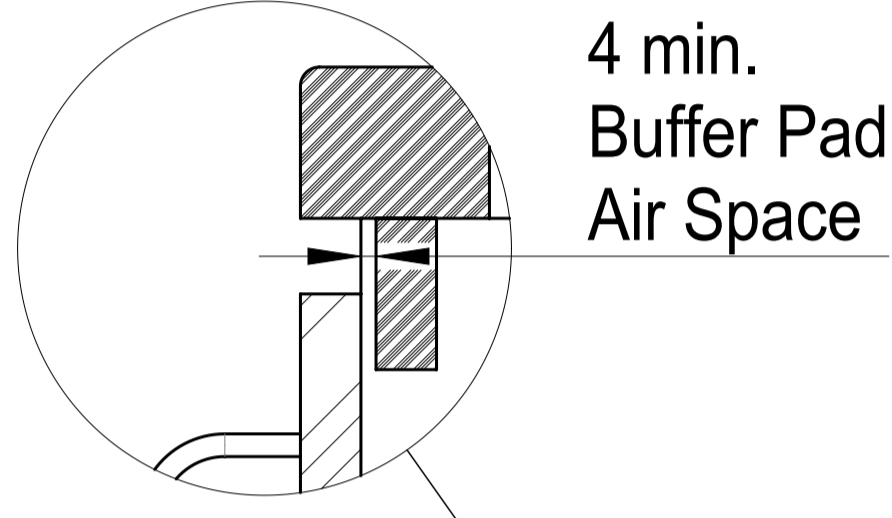
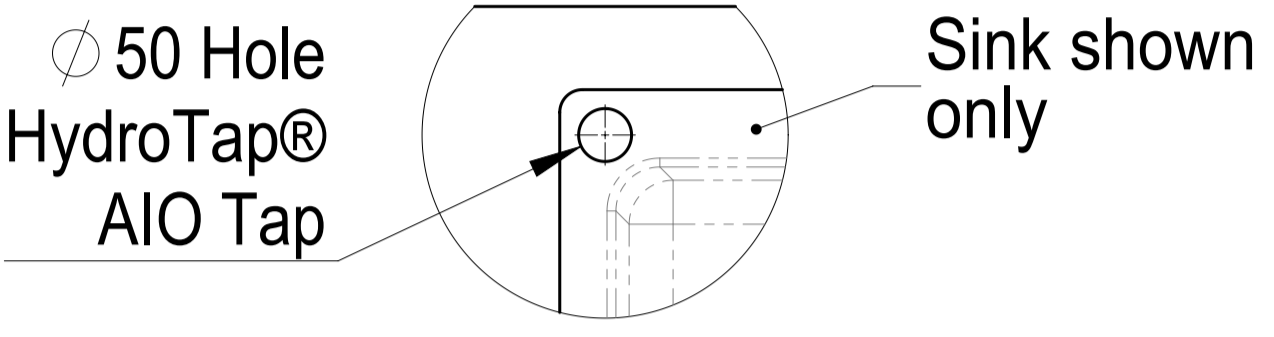
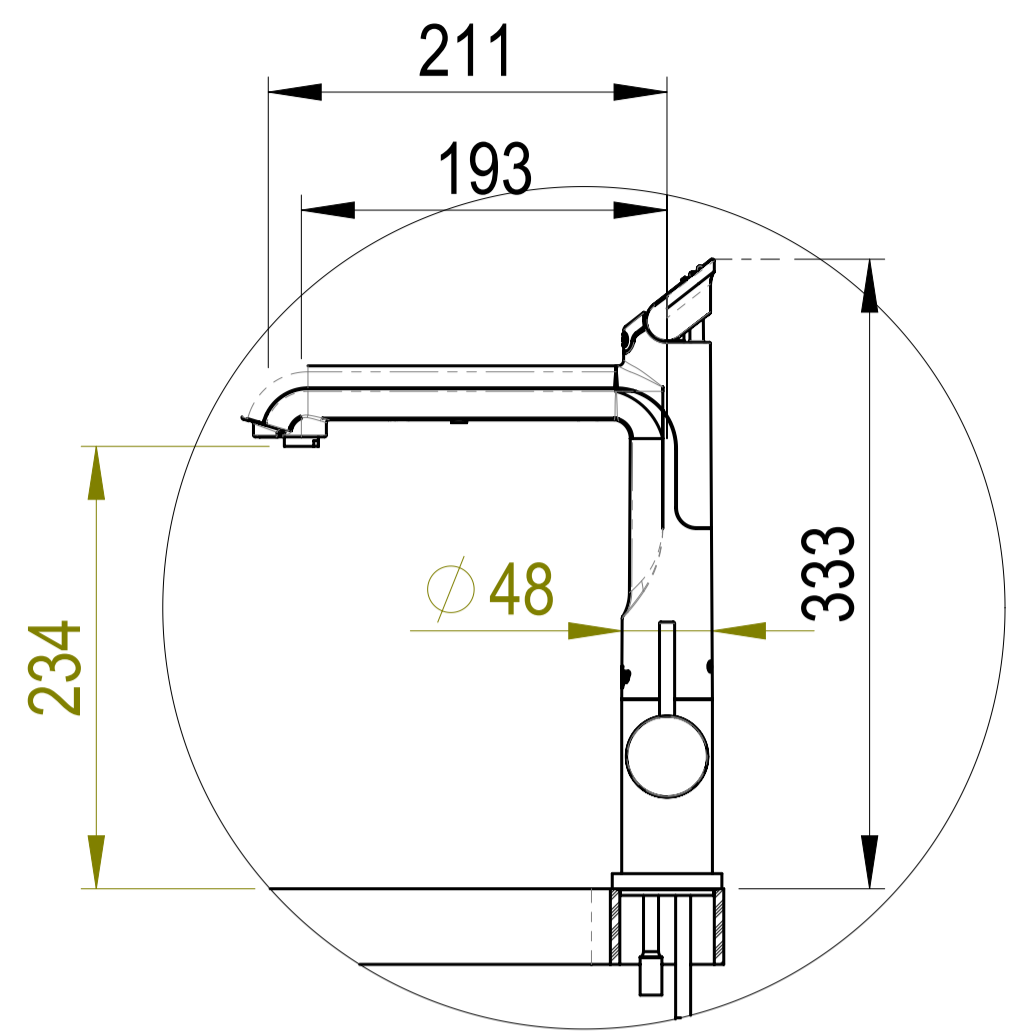
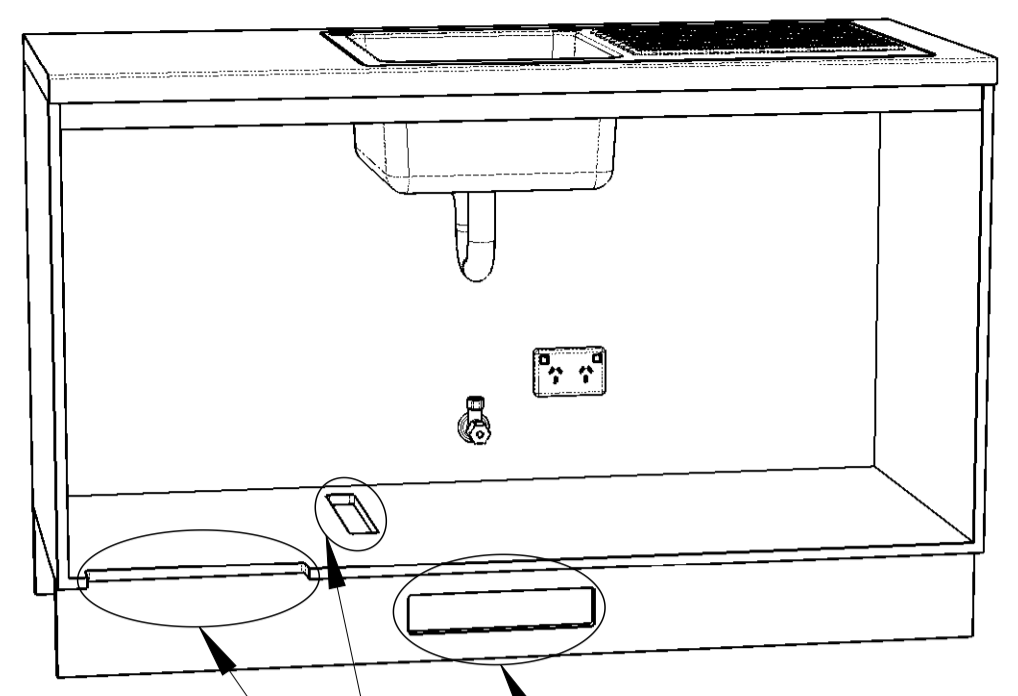


Item	Part	Rev	Description	Config	Status	Default/Qty	Notes
2	5361AU	00	HydroTap Gen IV BCHA0175* w/ Booster	Boiling & Chilled 4in	5361AU-BCHA01_175	Prototype	1
3	800220	C	Kickboard Fan Grill		Default	Production	1
4	800221	C	Air Inlet Grill GFF		Default	Production	1
17	27200	A	Zip HydroTap Booster MBX2 2.2kW 10A 230V		Default	Production	1
26	801661	00	Description (Config)		Default	Design	1
27	85193	A08	Asy - Restrict-A-Flow with a 9 Hole		81641	Prototype	1



This drawing is CONFIDENTIAL, and is supplied on the express condition that it shall not be LOANED, COPIED or DISCLOSED to any other third party or used for any purpose without the written consent of Zip Industries Pty Ltd. This document is printed in hardcopy form. It is for INFORMATION ONLY and therefore not subject to updating controls. For the current revision ALWAYS refer to the MATRIC reference form as stated in the top left hand corner of this sheet. © copyright Zip Industries Pty Ltd. 16/05/2011

Make of Buy: Buy Manufacturing Route: Manufacturing Process Raw material: See Components Remove all sharp edges. This drawing ONLY details information which cannot be ascertained from the 3D geometry of the part(s) attached. Model & dimensions are AFTER all finishing operations. Comments:	Approved by: rschen on 11/11/2014 Checked by: rschen on 11/11/2014 Updated by: edgpg on 25/02/2016 2:28:24 PM Material: See Components Finish: EdgG	Description: AIO BCHA 240/175 G4 Vented Zip HydroTap G4 with Booster Project: HydroTap G4B Model: KL002_5361AU0A2ZN1C Created by & on: EdgG on 4/05/2011 Drawing: KL002_5361AU0A2ZN1C Created by & on: EdgG on 16/05/2011 Rev: 01 Size: A1
Probable? NO Recyclable? NO Mass g: 105906.6 Density g/cm ³ : 1.2	Volume m ³ : 0.181818 Area m ² : 18181.8 Scale: 1:1 Sheet: 1 of 1	Status: Prototype Config Property: