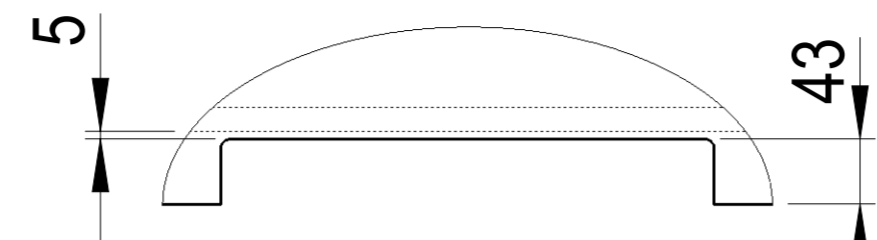
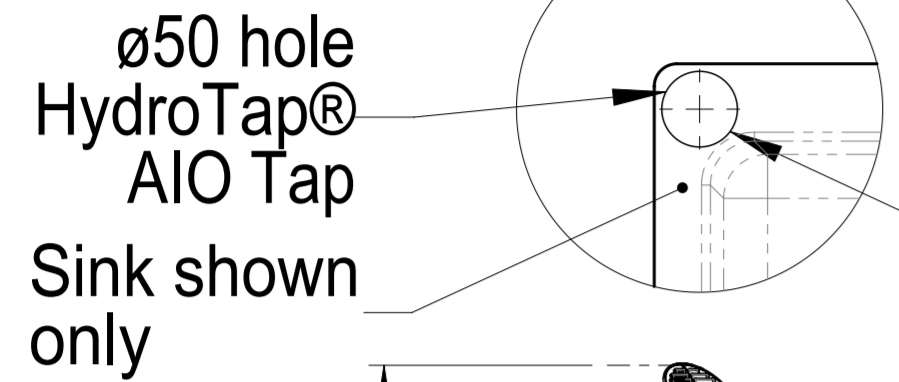


Sheet1 (Default)

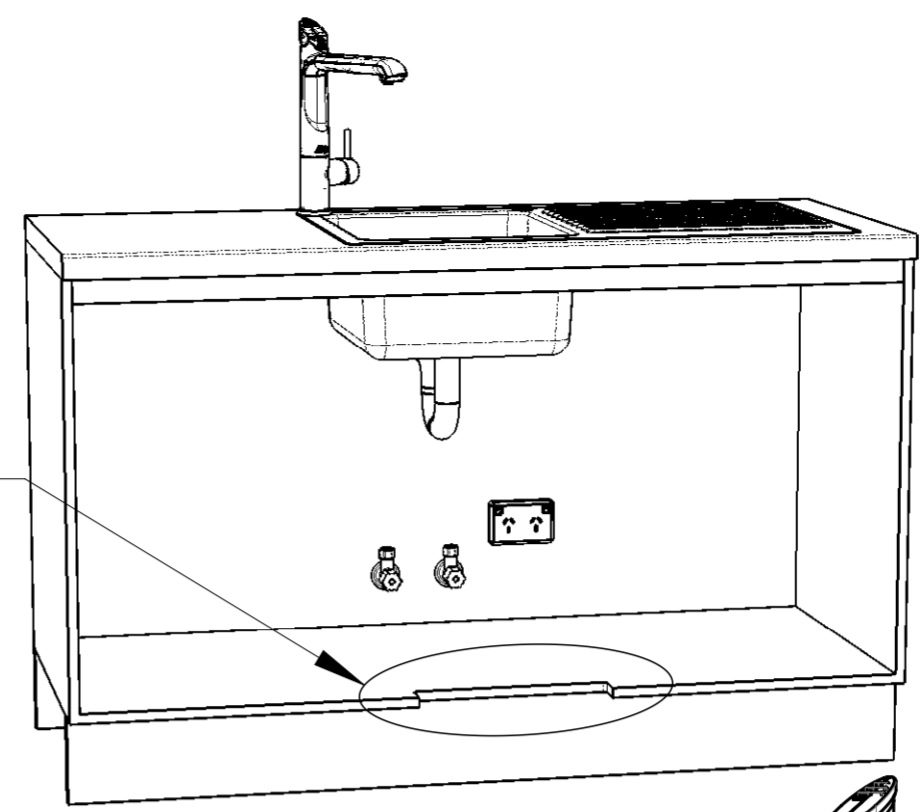
Item	Part	Rev	Description	Status	Qty	Make or Buy?
1	1214AU1	00	HydroTap G4 Residential BC Base Module Mains/UV	Design	1	Buy
3	800221	C	Air Inlet Grill CFF	Production	1	Make
5	A2450	A	Plug - Australian Standard	Production	1	Buy
8	86451	A	Nipple-Tapered 1/2" (No 27)	Production	2	Buy
9	84451	A	Tee 1/2" BSP Female (Brass)	Production	1	Buy
13	801661	00	AIO Tap G4 Assy (Mains/UV)	Design	1	Buy
15	83393	01	Ventilation Grille Hafele	Pre-Production	1	Buy



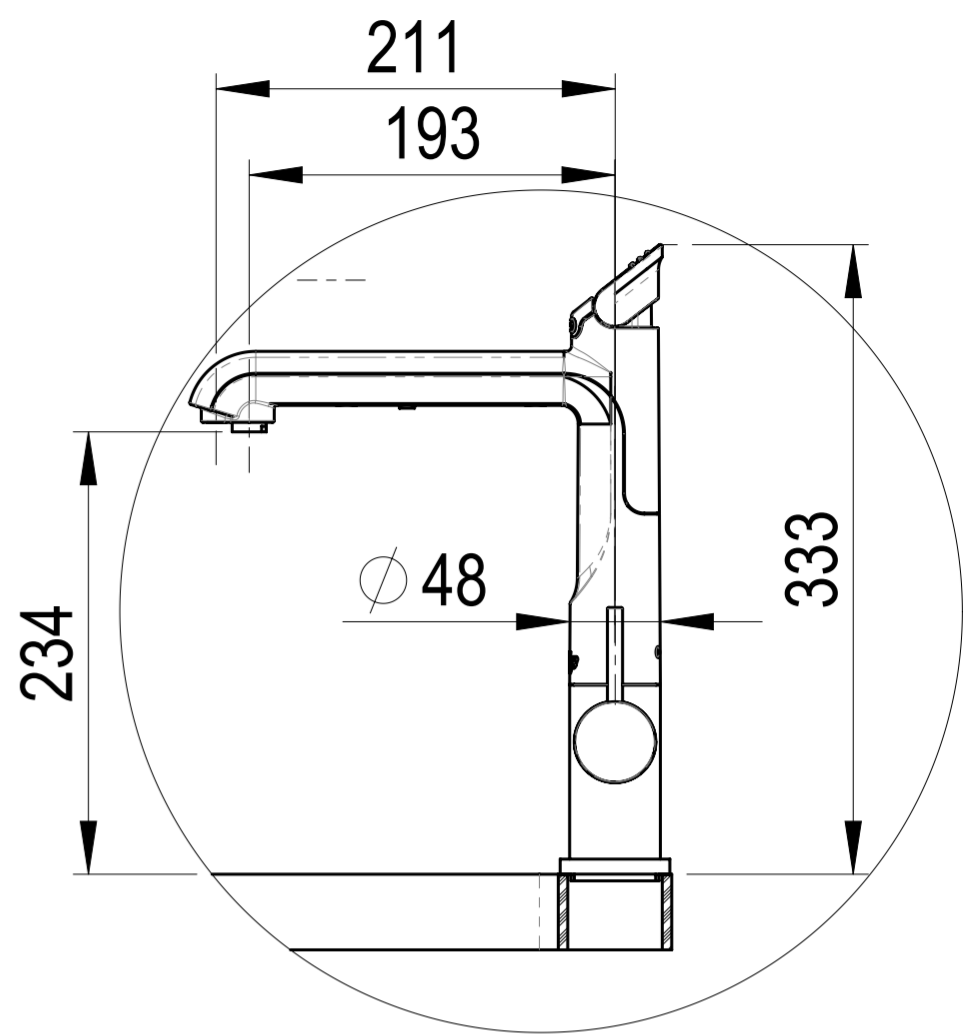
B. Cabinet Floor Cut-Out



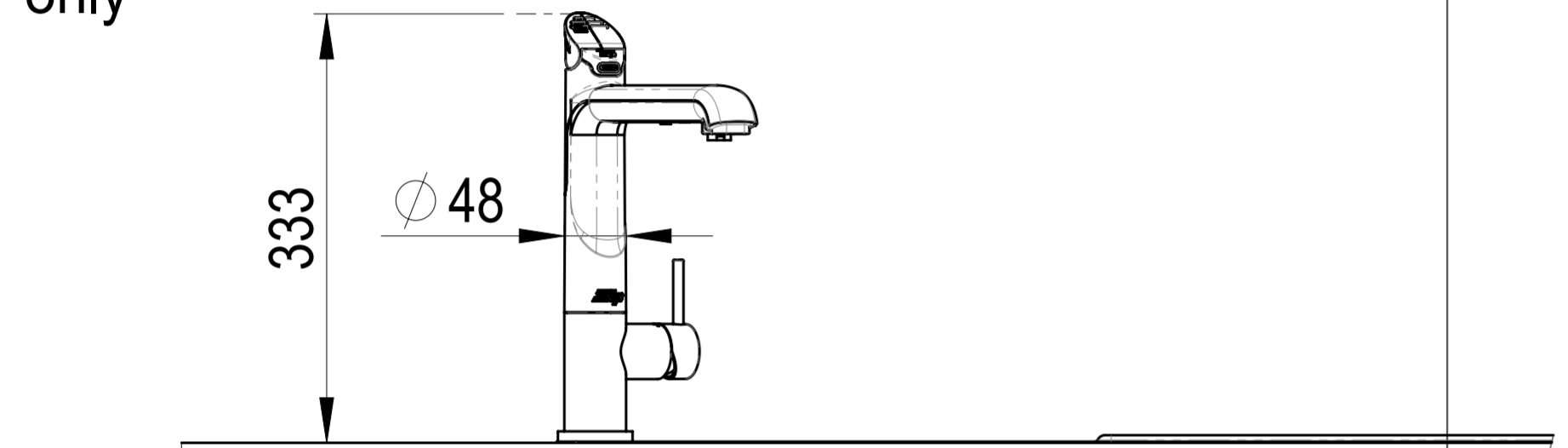
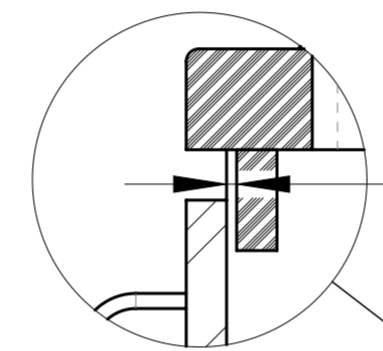
Position the Tap such that it dispenses into the sink bowl with ample clearance for a cup or a tea pot.



See Detail B



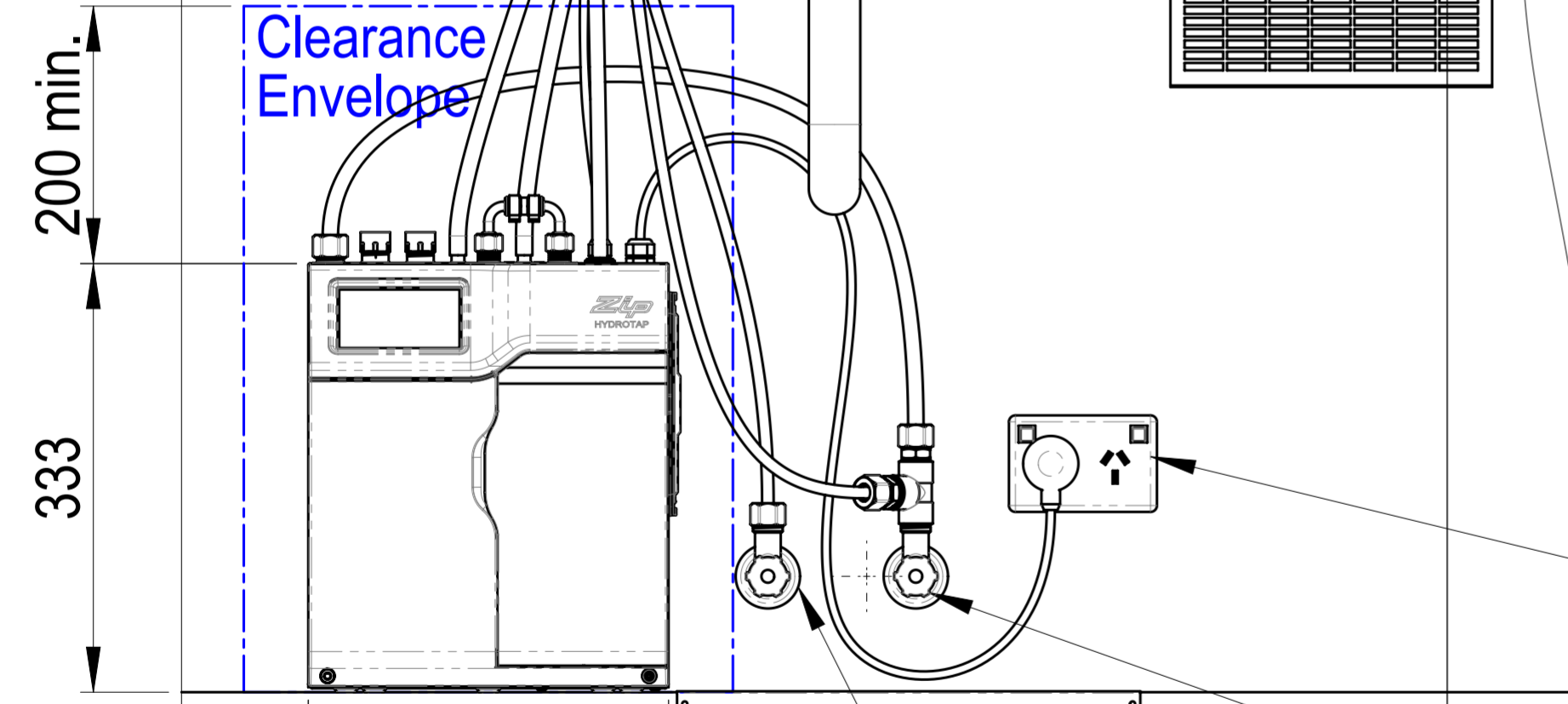
4 min. Buffer Pad Clear Gap



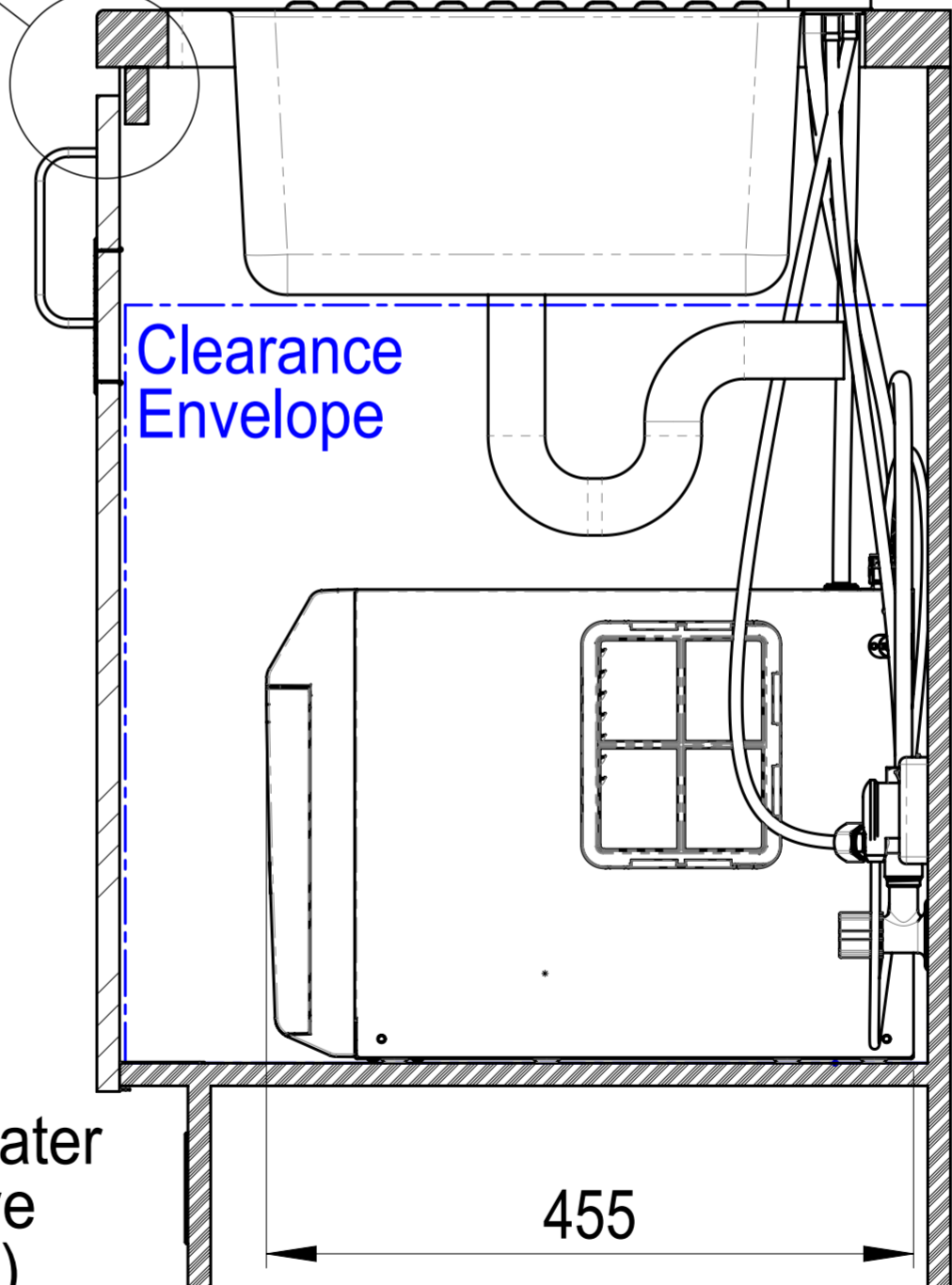
Ventilation grille



Clearance Envelope



Clearance Envelope



240 - 230V, 50Hz GPO

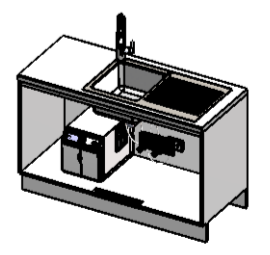
Mains cold water isolation valve (not supplied)

Inlet Vent

Hot water from domestic heater

50 min. 280 50 min.

SECTION A-A
SCALE 1 : 5



Configuration : Default

This drawing is CONFIDENTIAL and is supplied on the express condition that it shall not be LOANED, COPIED or DISCLOSED to any other third party or used for any purpose without the written consent of Zip Industries Pty Ltd. If this document is printed in hardcopy form, it is for INFORMATION ONLY and therefore not subject to updating controls. For the current revision ALWAYS refer to the NATIVE electronic form as stated in the top left-hand corner of this sheet. © copyright Zip Industries Pty Ltd, 16/05/2011

Manufacturing Instructions		Approved by: Unapproved on 1/03/2011	Description:
Make or Buy: Buy	Checked by: Unchecked on 1/01/2001	Updated by: edgar on 3/10/2014 12:00:01 PM	Assy - Kitchen Layout Hydrotap G4 Residential BCHA w/ AIO Mains/UV Tap
Raw material: See Components	Material: See Components	Project: Hydrotap G48	Configuration: Default
Remove all sharp edges. This drawing ONLY details information which cannot be ascertained from the 2D geometry of the parts attached. Model & dimensions are AFTER all finishing operations.	Finish: Finish	Model: KL002_1214AU0A0Z1R	Created by & on: Edgarg on 4/05/2011
Comments:	Volume (m ³): 76407.0	Area (m ²): 128629.5	Derived from: New
Volume (m ³): 76407.0	Area (m ²): 128629.5	Derived from: New	Colour: Colourless
Mass (kg): 86090.7	Density (g/cm ³): 1.1	Scale: 1:1	Status: Production
Potable?: No	Recyclable?: No	Handed?: No	Sheet: 1 of 1