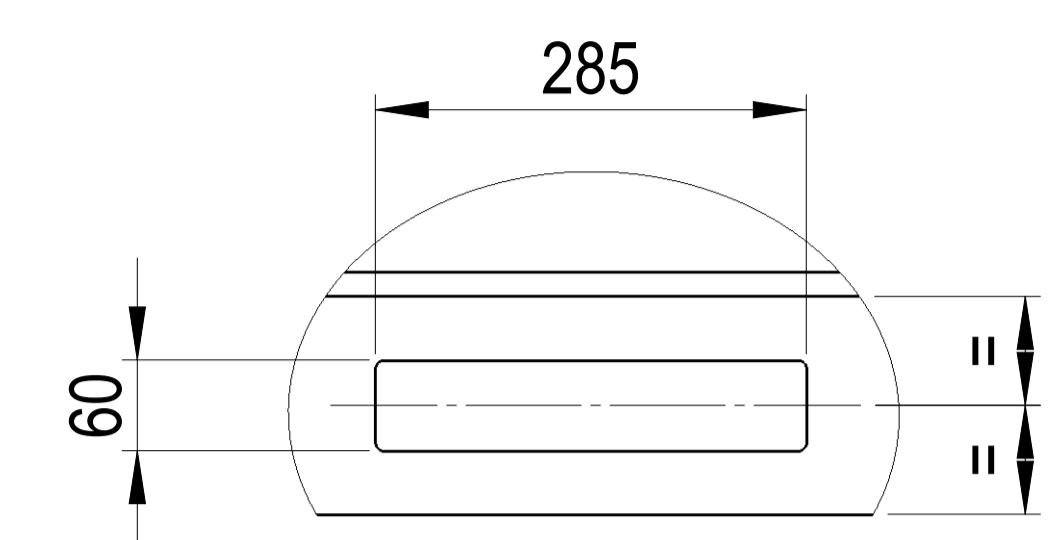
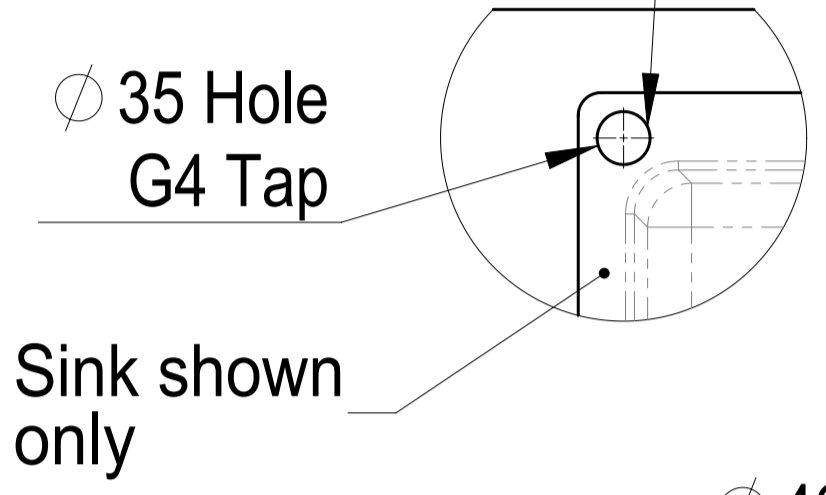
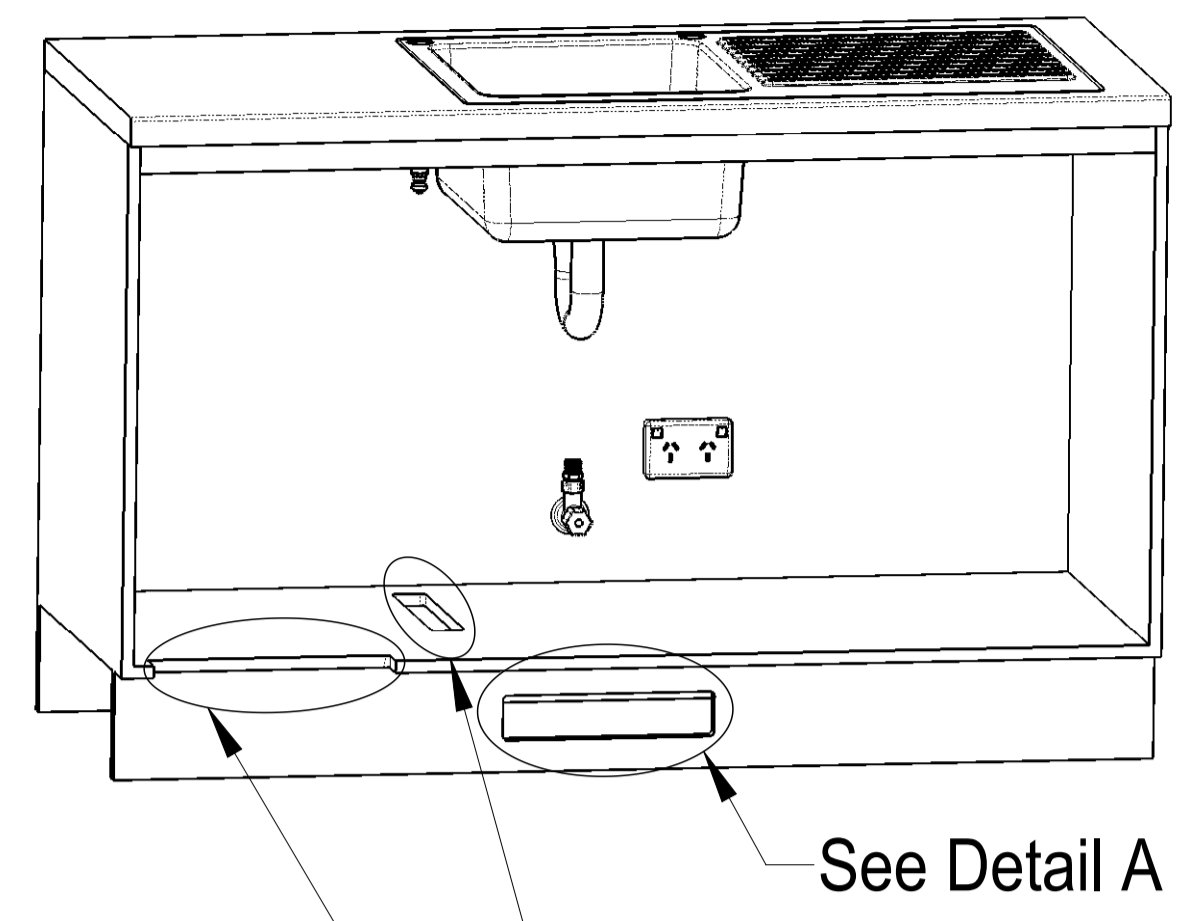
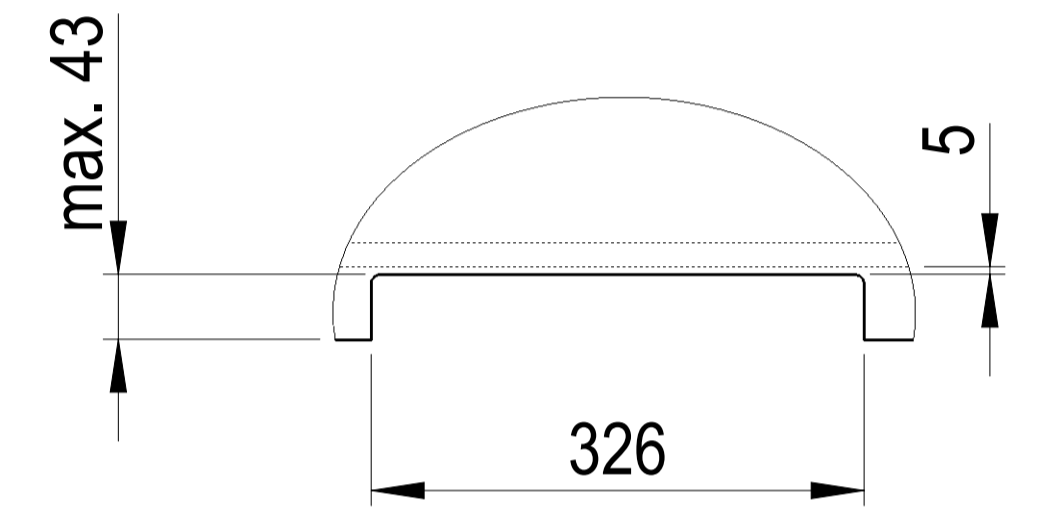


Item	Part	Rev	Description	Config	Status	Default/Qty	Notes
2	5153AU	01	Hydrotap G4 AIO Sparking BCS240/175 Mains w/ Booster	5153AU BCS240/175 Sparking w/ Booster	Prototype	1	
3	800220	C	Kickboard Fan Grill	Default	Production	1	
4	800221	C	Air Inlet Grill: CFF	Default	Production	1	
9	27200	A	Zip Hydrotap Booster MBK2 2.2kW 10A 230V	Default	Production	1	
14	800544-BCS	00	Tap Assy Commercial Boiling Chilled Sparking Hydrotap G4	Default	Design	1	
17	93223	A	Kil CO2 - 2.8kg Gas-Regulator-Straps	Default	Production	1	
21	87953	A00	Reducer JG 3.5-1.4	Default	Design	1	

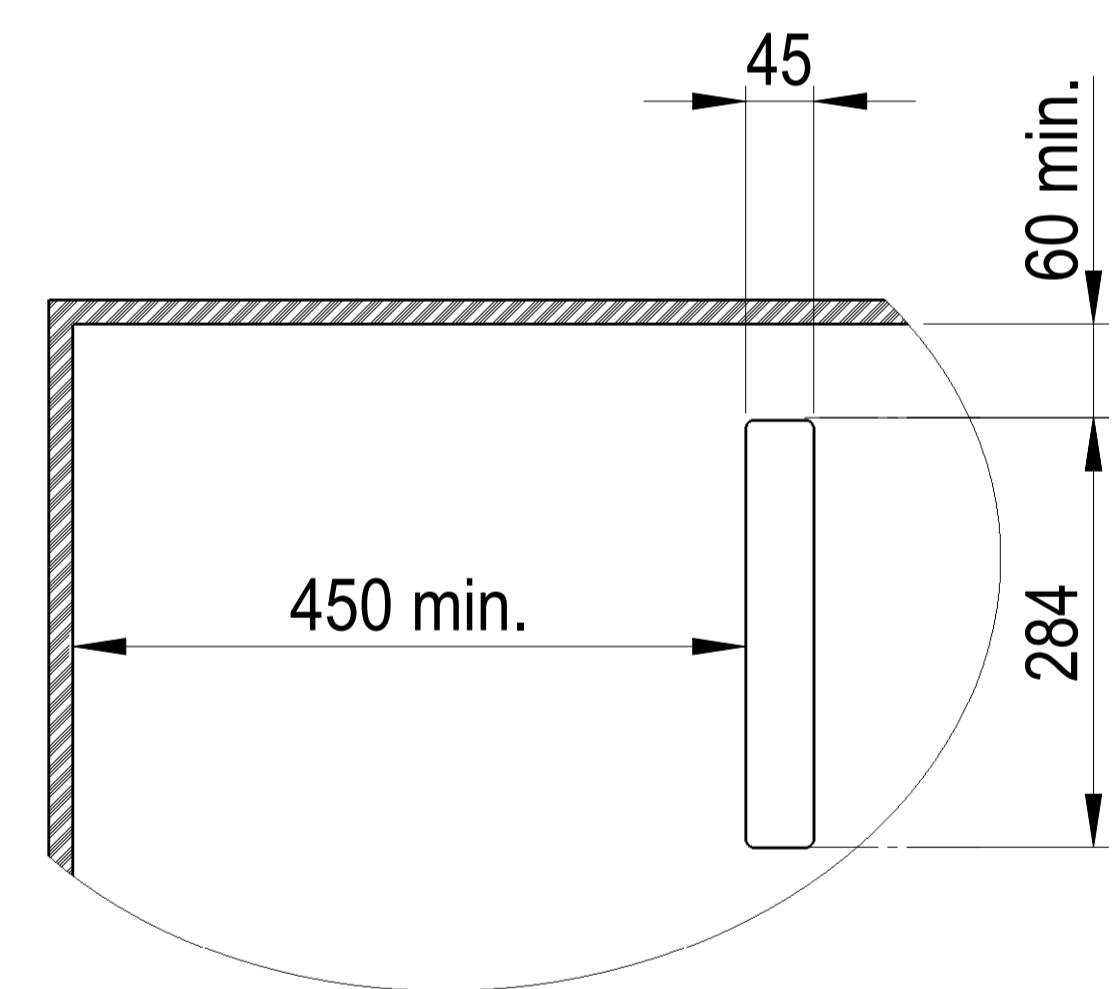
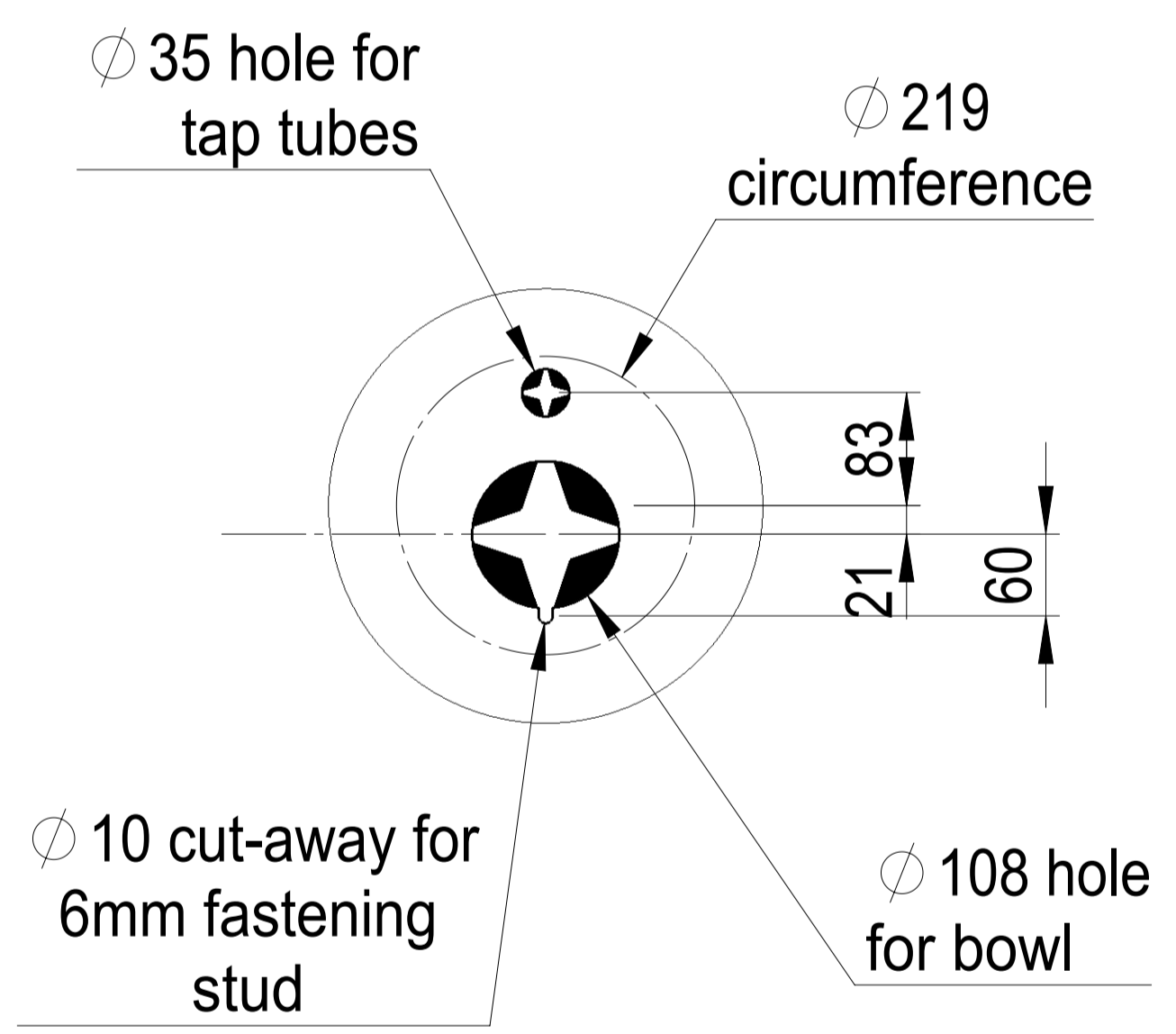
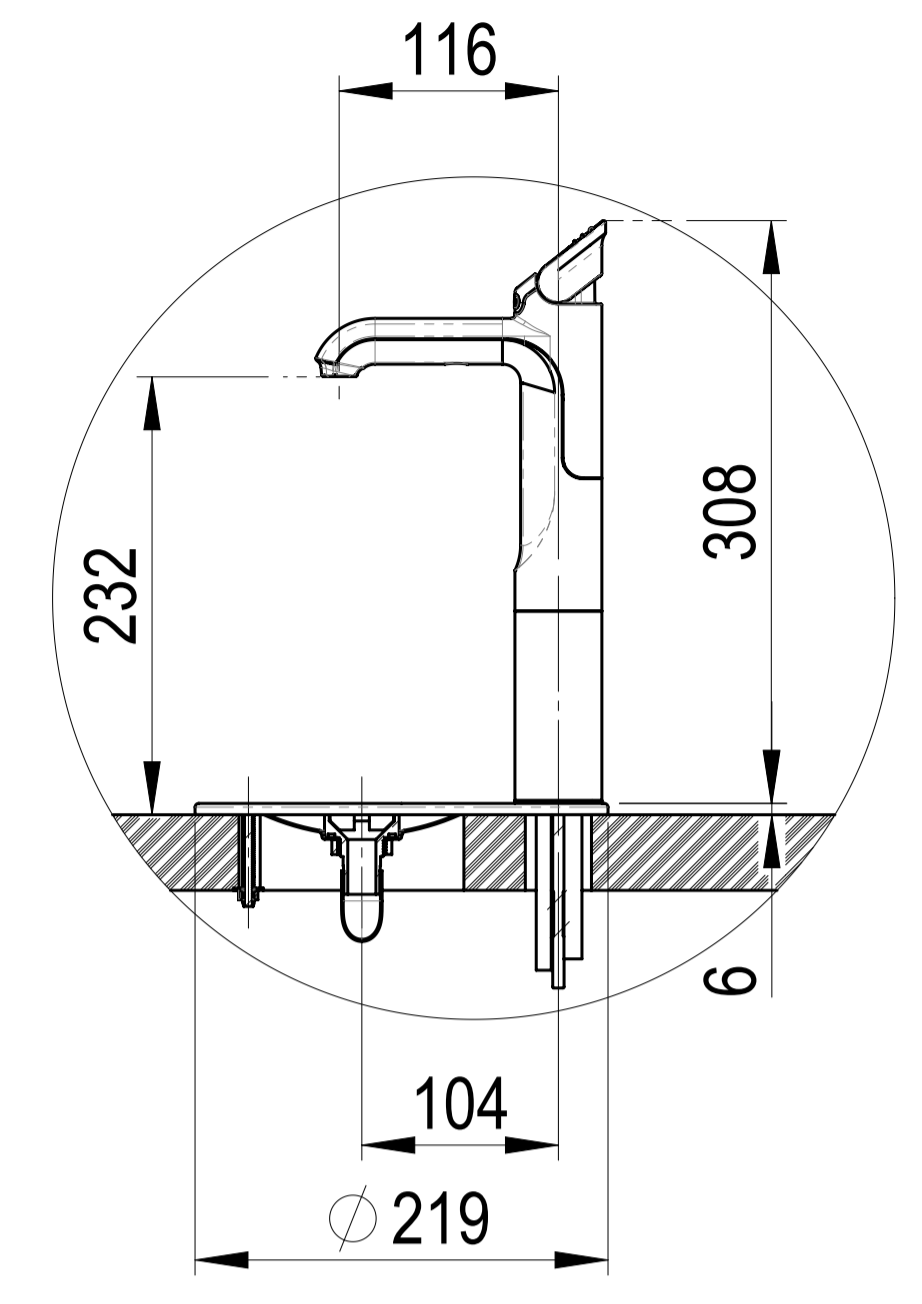
Position the Tap such that it dispenses into the sink bowl with ample clearance for a cup or a tea pot. Alternatively, the Tap could be mounted away from the sink using a Zip Font available as an accessory.



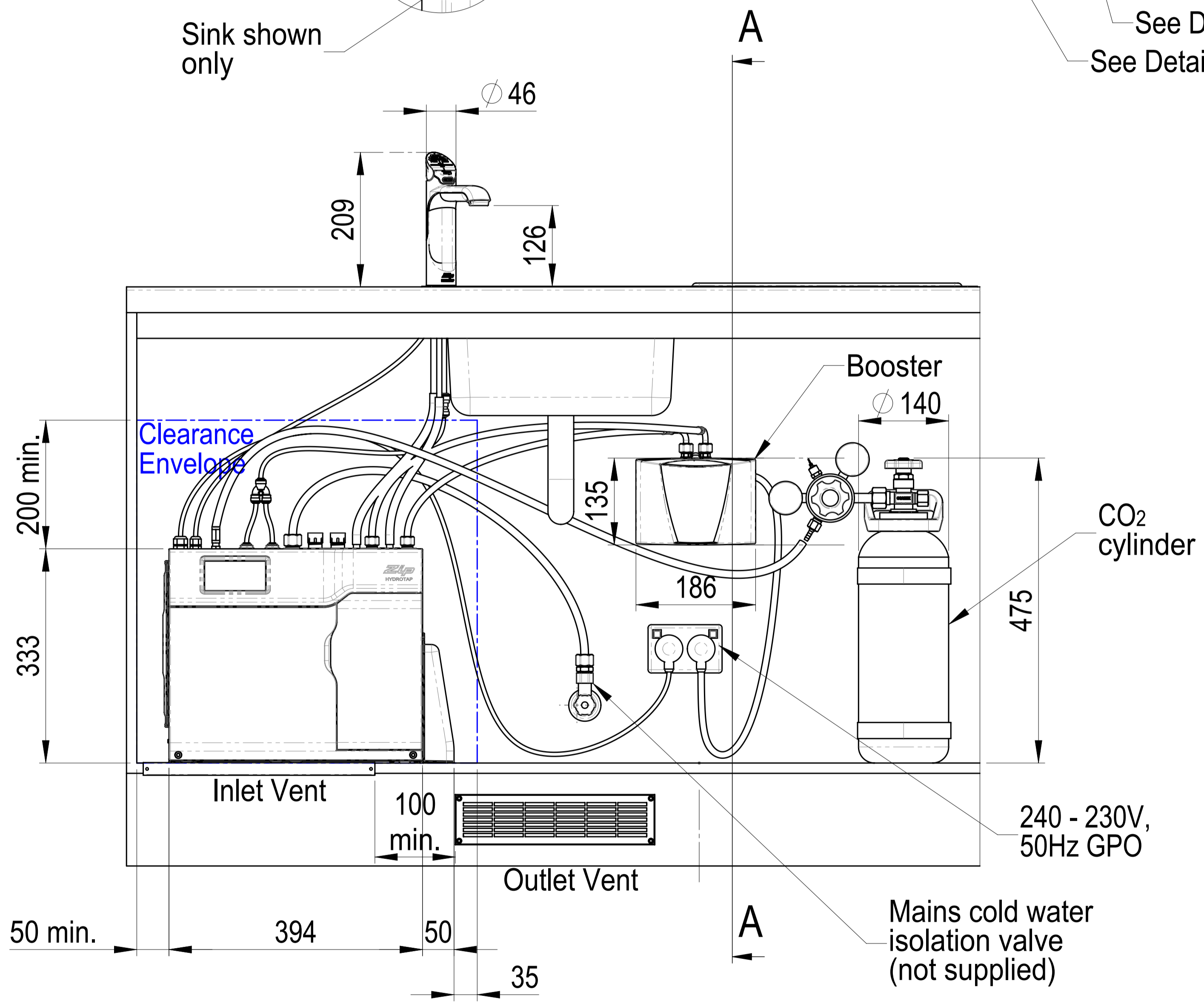
A. Kickboard Cut-Out



B. Cabinet Floor Cut-Out



C. Cabinet Floor Cut-Out



Zip Industries

Hydrotap G4 BCS240/175 Boiling/Chilled Sparking w/ Booster

Model: KL002_5153AU0S0Z1N1C
 Project: Hydrotap G4B
 Configuration: Default

Volume: 1.19254 | Area: 138170.2 | Mass: 92405.0 | Density: 1.1 | Scale: 1:1 | Sheet: 1 of 1

WMKA 00099; CS8328
 Watermark Exp: 26-10-2017; CS Exp: 18-8-2014