

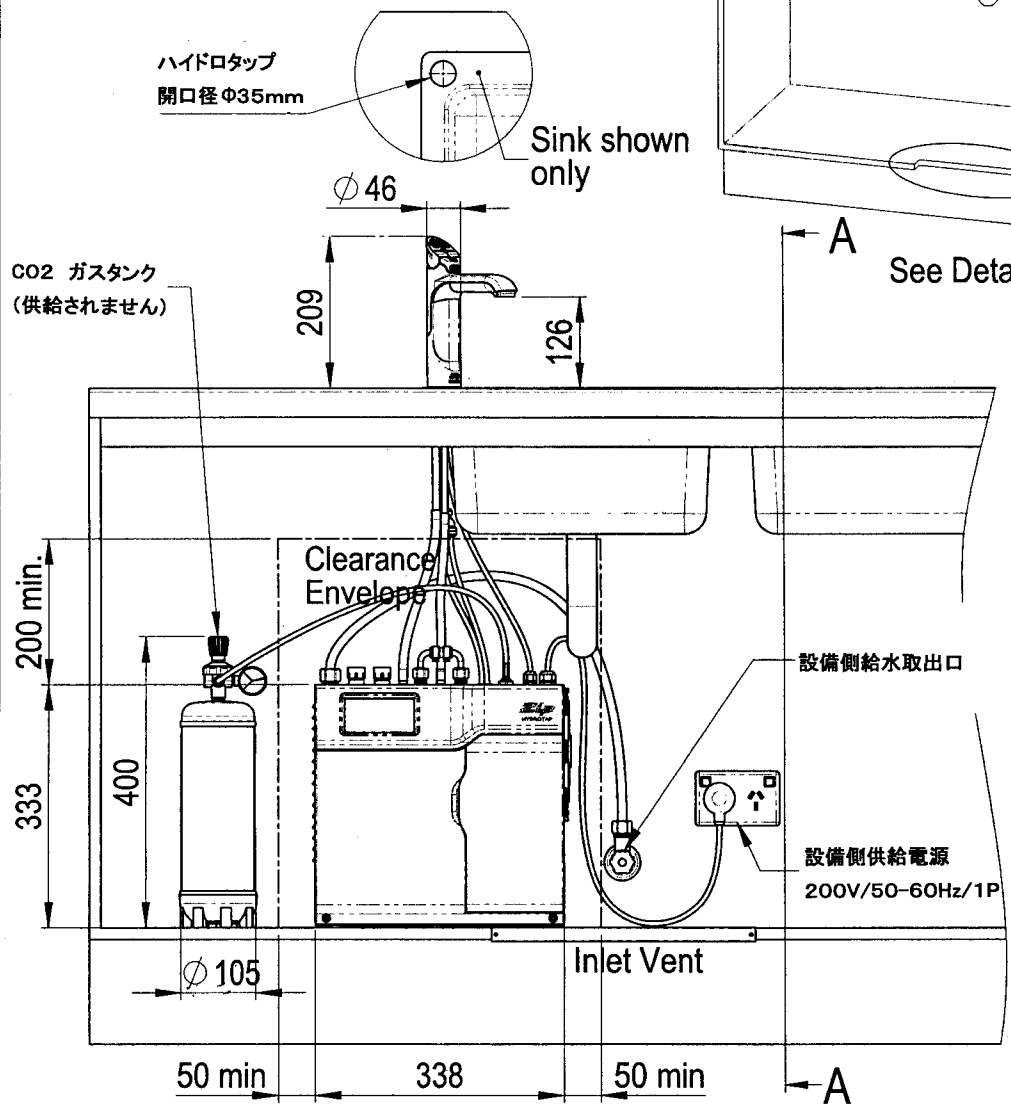
Sheet (Default)

Table - Zip BOM (Assembly)

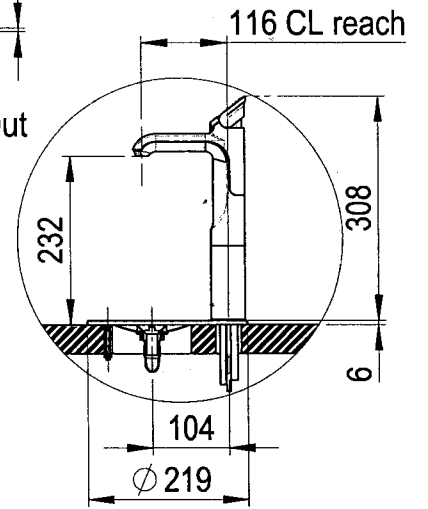
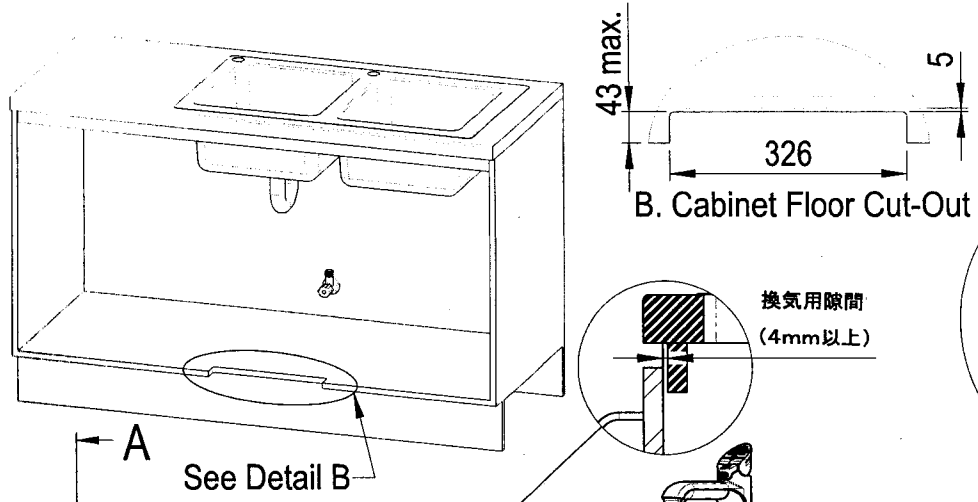
Item	Part	Rev	Description	Config	Status	Qty	Notes
1	80544-BCS	00	Zip Axis Commercial - Single Chilled Spotting HydroTap Unit	Default	Design	1	
2	42460	A	Plug - Association Standard	Default	Production	1	
3	12544JZ	A	HydroTap 02 Rectangular BCS Base - Made by Manufacturer	Default	Production	1	
4	80180	B	Assembly - Resists-A-Flow with 62.5 Hole	Default	Pre-Production	1	
5	80204	AD4	"Y" Connector 20 1/4"	Default	Pre-Production	1	
6	80221	C	Air Inlet GFR GFR	Default	Production	1	
7	80049	A	1.2kg CO2 Cylinder Assy	Default	Production	1	
8	82383	A14	Ventilation Grille Valve	Default	Production	1	

THIRD ANGLE PROJECTION

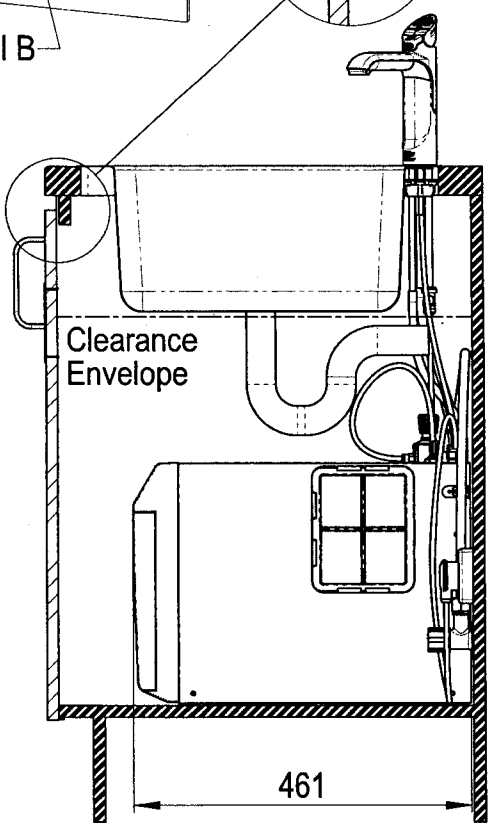
Zip Industries Pty Ltd
 17 Allingham Street
 Concord Park
 Sydney
 NSW 2200
 Australia



クリアランス
 (上方: 200mm以上)
 (左右: 各50mm以上)



DETAIL FRONT
 SCALE 1:5



SECTION A-A
 SCALE 1:5

This drawing is CONFIDENTIAL and is supplied on the express condition that it shall not be LOANED, COPIED or DISCLOSED to any other third party or used for any purpose without the written consent of Zip Industries Pty Ltd. If this document is printed in hardcopy form, it is for INFORMATION ONLY and therefore not subject to updating controls. For the updated version ALWAYS refer to the MATIVE electronic form as stated in the top left-hand corner of this sheet. © copyright Zip Industries Pty Ltd. 19/02/2011

Manufacturing Instructions		Approved by: edgary on 4/08/2015	Description:
Made on Buy: Buy	Checked by: edgary on 4/08/2015		G4-BCS-30/30
Manufacturing Route: Manufacturing Process	Updated by: edgary on 29/08/2018 12:45:13 PM		
Material:	Material:	Project: HydroTap G4H	Configuration: Default
Raw material: See Components	Material:	Model: KL02_1256A060201R	Created by: ed on 4/08/2011
Remove all sharp edges. This drawing ONLY details information which cannot be ascertained from the 2D geometry of the model attached. Model & dimensions are AFTER all finishing operations.	Material:	Drawing: HT-1783	Rev: 02
Comments:	Material:	Manufacturing Code was 1256A060201R	Rev: 02
Volume: 16878	Unit price: 132189.2	Delivered from: New	Colour: Colours
Part no: 819001	Quantity: 1.1	Scale: 1:1	Sheet: 1 of 1
Material: NO	Recyclable: NO	Material: NO	Material: NO

