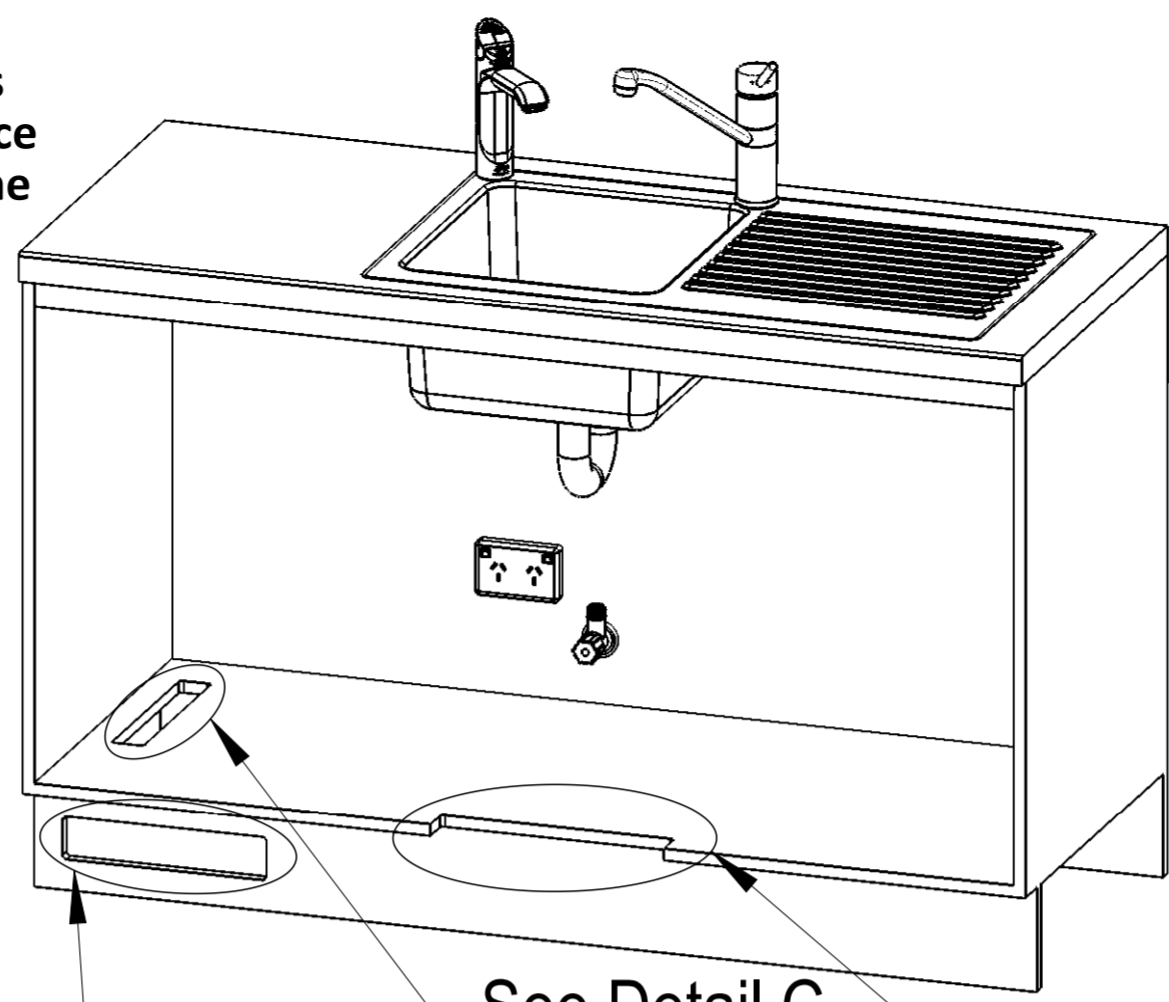
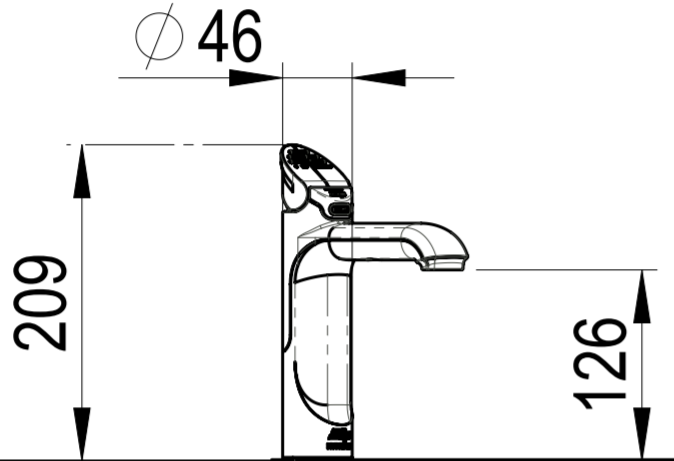
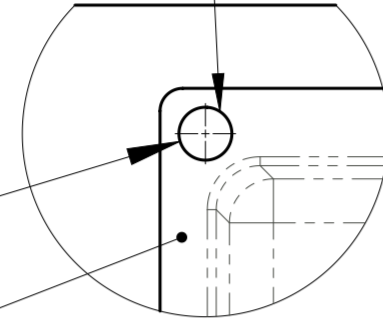


Sheet1 (Default)

Item	Part	Rev	Description	Config	Status	Default/Qty	Notes
1	0053AU	00	Hydrotap G4 CS175 Chilled Sparkling	Default	Design	1	
2	800544-CS	00	Tap Assy Commercial - Chilled Sparkling HydroTap G4	Default	Design	1	
5	800220	C	Kickboard Fan Grill	Default	Production	2	
6	800221	C	Air Inlet Grill CFF	Default	Production	1	
7	800222	C	Side/Door Aluminium Grill	Default	Production	1	
8	1-4 Y Connector P123085	A	Description (Part)	Default	Production	1	
9	87953	01	Reducer JG 3_8-1_4	Default	Production	1	
17	93179	00	Kit Gas Cylinder 2600g (4L)	Default	Design	1	

Position the Tap such that it dispenses into the sink bowl with ample clearance for a cup or a tea pot. Alternatively, the Tap could be mounted away from the sink using a Zip Font available as an accessory.

∅ 35 Hole for G4 Tap
 Sink shown only

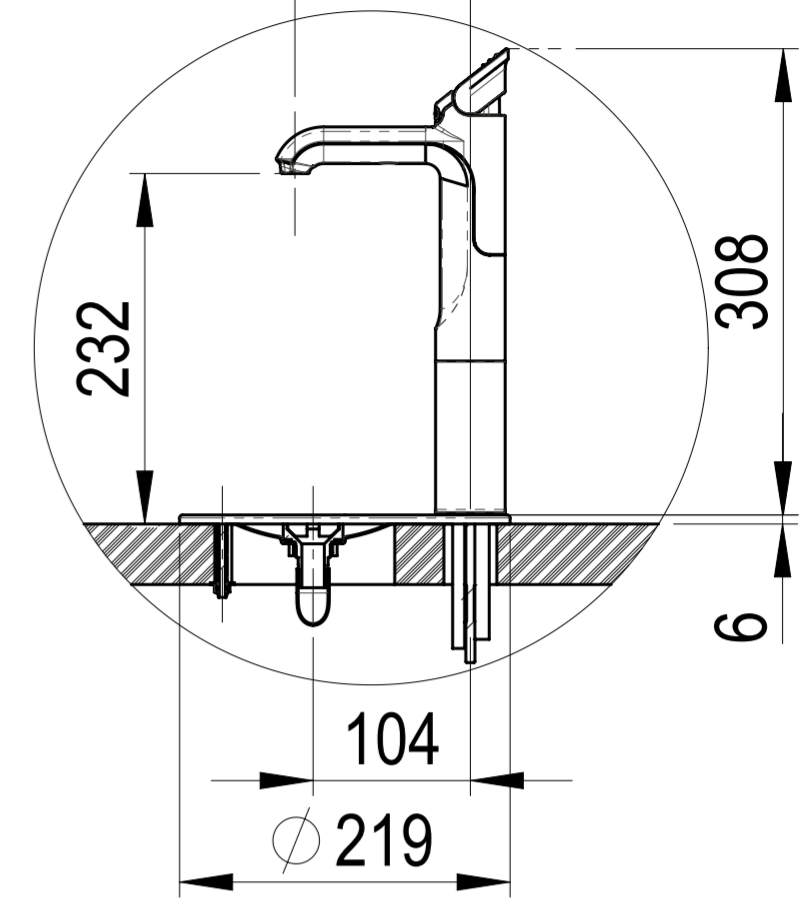


See Detail A

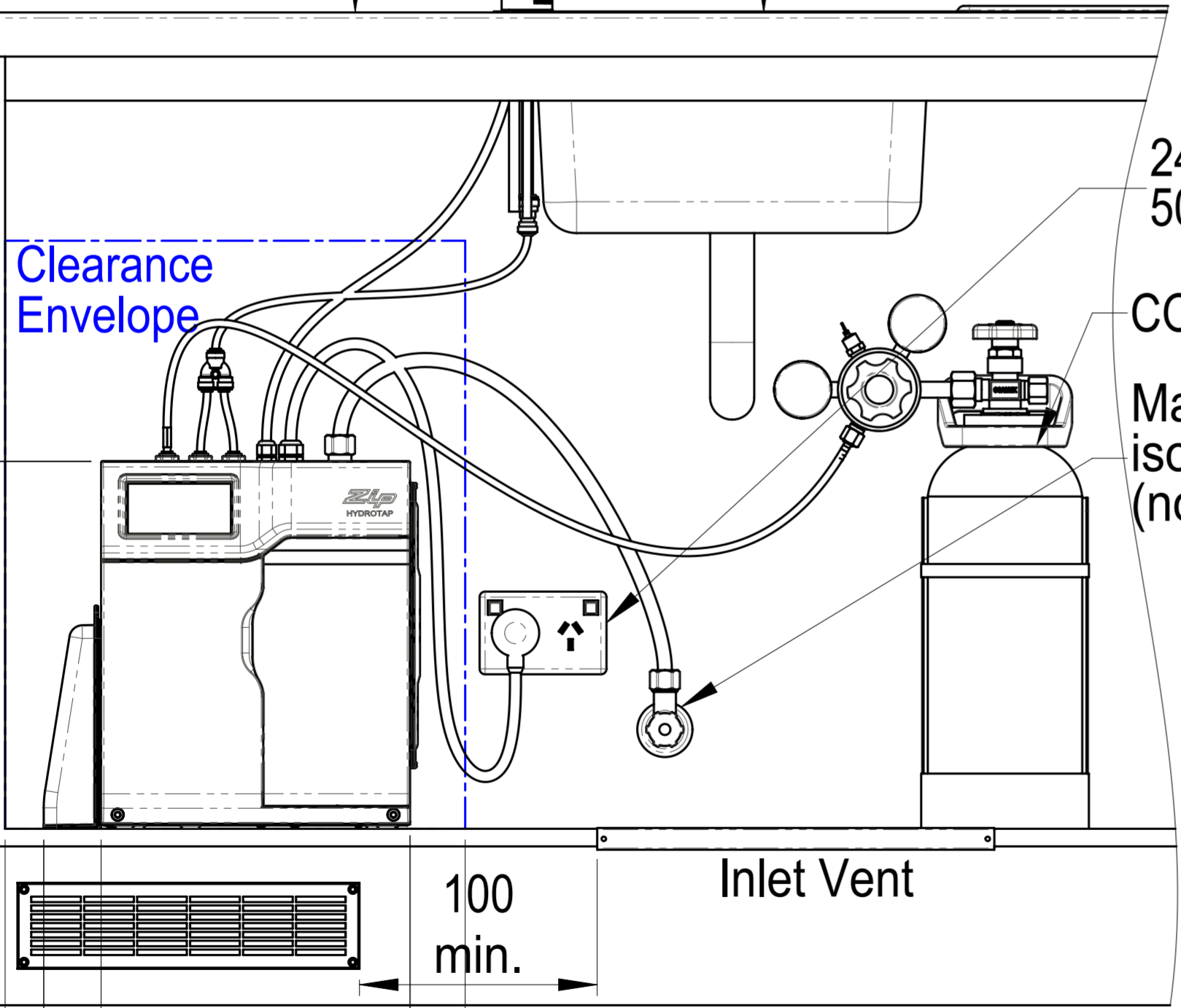
See Detail C

See Detail B

116 CL reach



DETAIL FONT
 SCALE 1 : 5



Clearance Envelope

240 - 230V, 50Hz GPO

CO2 gas cylinder
 Mains cold water isolation valve (not supplied)

A. Kickboard Cut-Out

B. Cabinet Floor Cut-Out

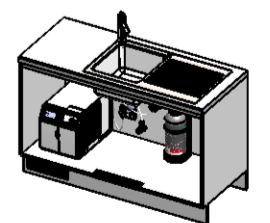
C. Cabinet Floor Cut-Out

∅ 219 circumference

∅ 35 hole for tap tubes

∅ 10 cut-away for 6mm fastening stud

∅ 108 hole for bowl



Configuration : Default

<p>This drawing is CONFIDENTIAL and is supplied on the express condition that it shall not be LOANED, COPIED or DISCLOSED to any other third party or used for any purpose without the written consent of Zip Industries Pty Ltd. If this document is printed in hardcopy form, it is for INFORMATION ONLY and therefore not subject to updating controls. For the current revision ALWAYS refer to the NATIVE electronic form as stated in the top left-hand corner of this sheet. © copyright Zip Industries Pty Ltd, 16/05/2011</p>		<p>Zip Industries </p>	
<p>Manufacturing Instructions</p>		<p>Description: Hydrotap G4 CS175 Chilled Sparkling</p>	
<p>Make or Buy: Buy</p>	<p>Approved by: Unapproved on 1/03/2011</p>	<p>Model: KL002_0053AU0S2ZN1C</p>	<p>Configuration: Default</p>
<p>Manufacturing Route: Manufacturing Process</p>	<p>Checked by: Unchecked on 1/01/2001</p>	<p>Project: Hydrotap Gen IV@</p>	<p>Created by & on: EdgarG on 4/05/2011</p>
<p>Raw material: See Components</p>	<p>Updated by: edgar on 25/06/2014 12:22:41 PM</p>	<p>Material: See Components</p>	<p>Created by & on: EdgarG on 16/05/2011</p>
<p>Remove all sharp edges. This drawing ONLY details information which cannot be ascertained from the 3D geometry of the parts attached. Model & dimensions are AFTER all finishing operations.</p>	<p>Finish: Finish</p>	<p>Volume (mm³): 82080.7</p>	<p>Area (mm²): 136879.4</p>
<p>Comments:</p>	<p>Derived from: New</p>	<p>Mass (g): 92203.6</p>	<p>Density (g/mm³): 1.1</p>
<p>Potable? : No</p>	<p>Recyclable? : No</p>	<p>Handed? : No</p>	<p>Scale: 1:1</p>
<p>Sheet: 1 of 1</p>	<p>Colour: Colourless</p>	<p>Status: Production</p>	<p>Part Property</p>

WMKA 00099; CS8328
 Watermark Exp: 26-10-2017; CS Exp: 18-8-2014